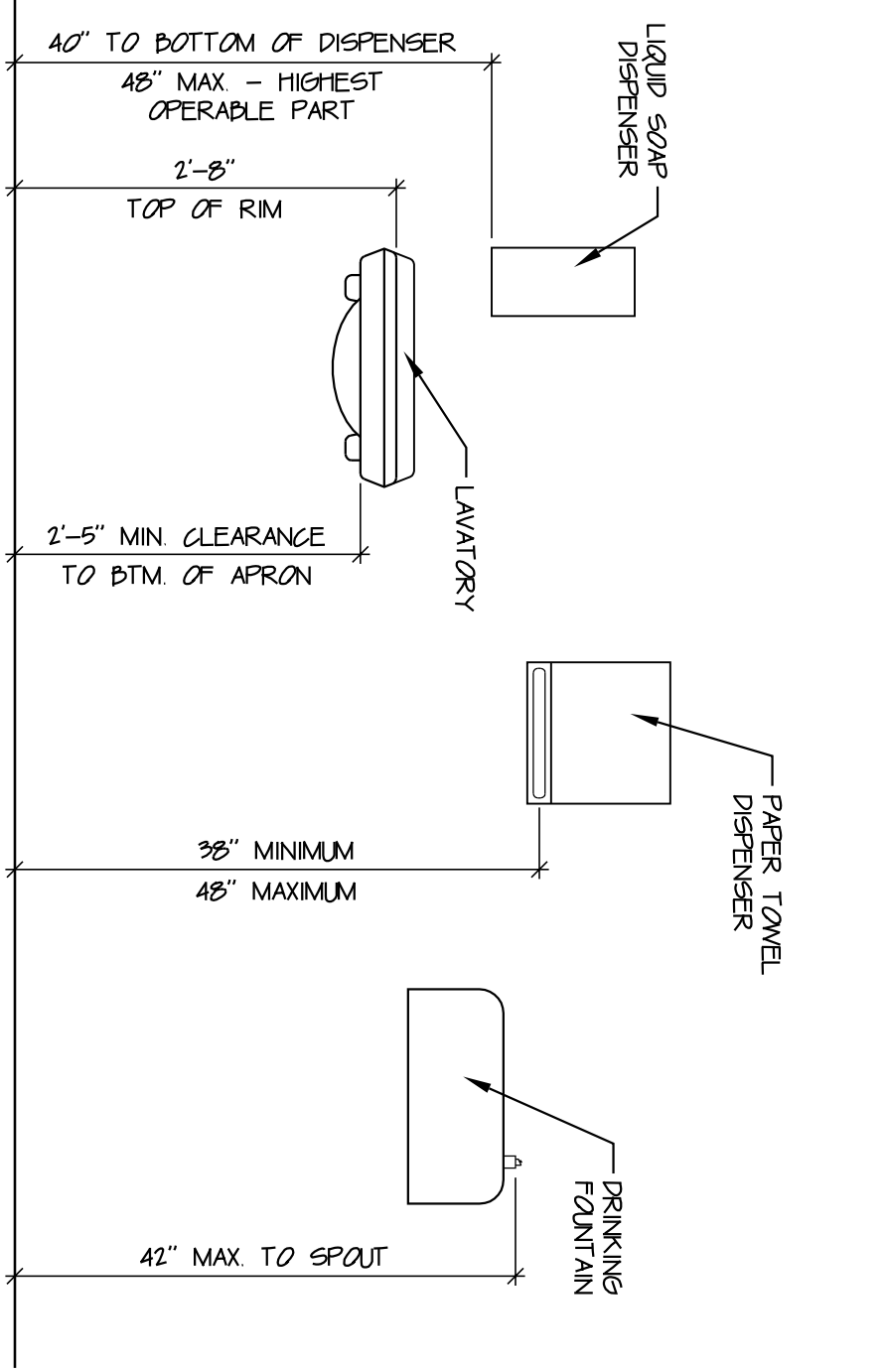
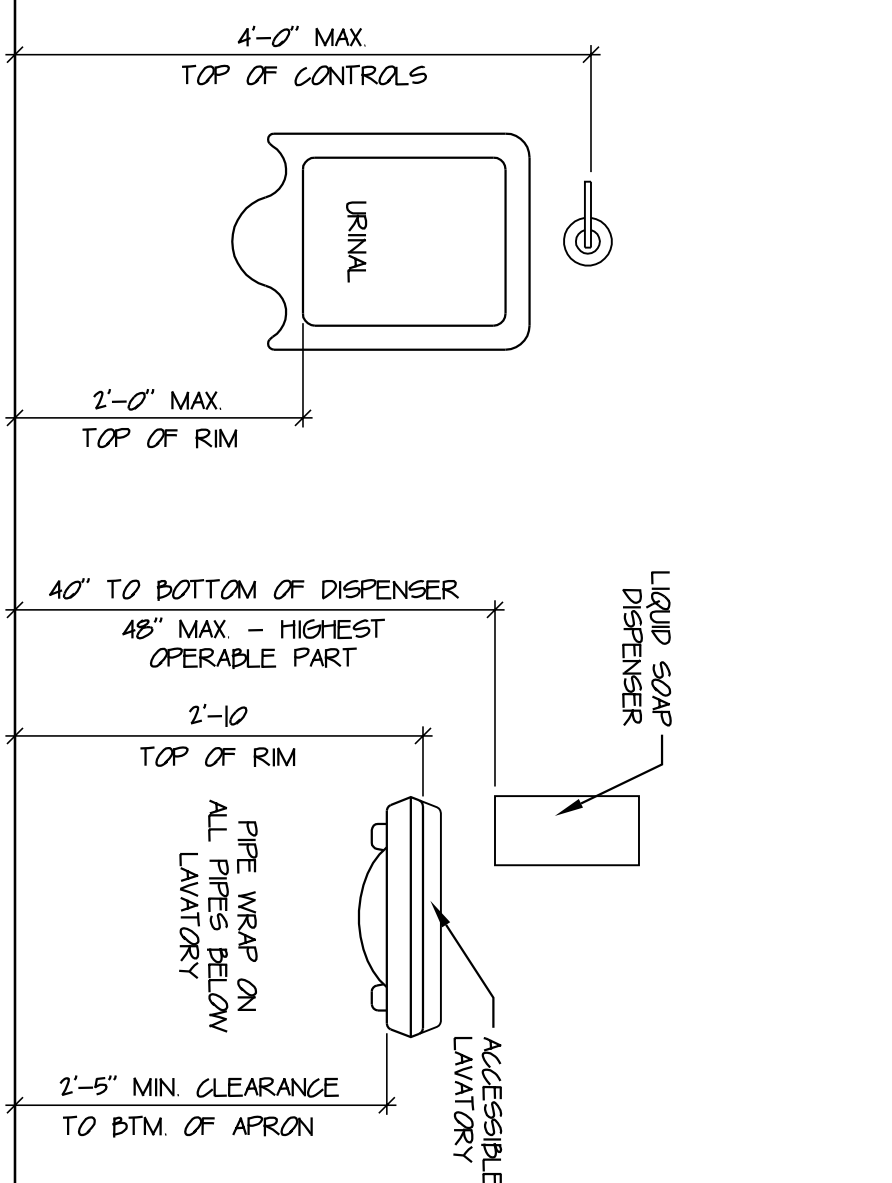
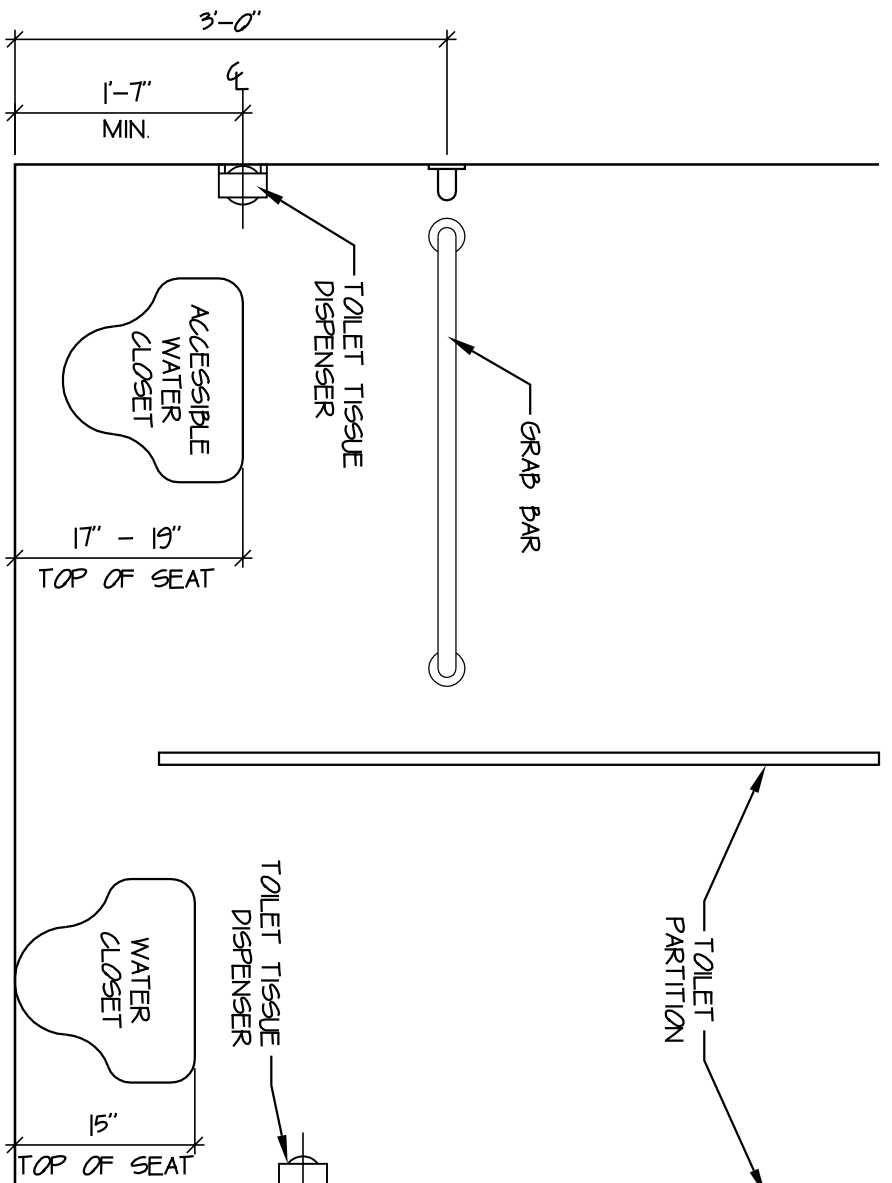
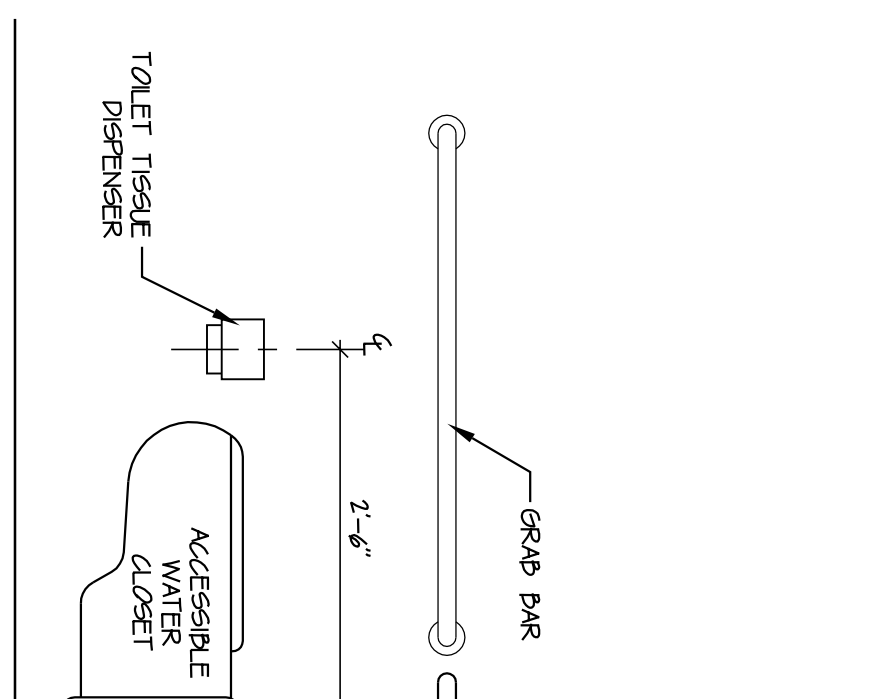


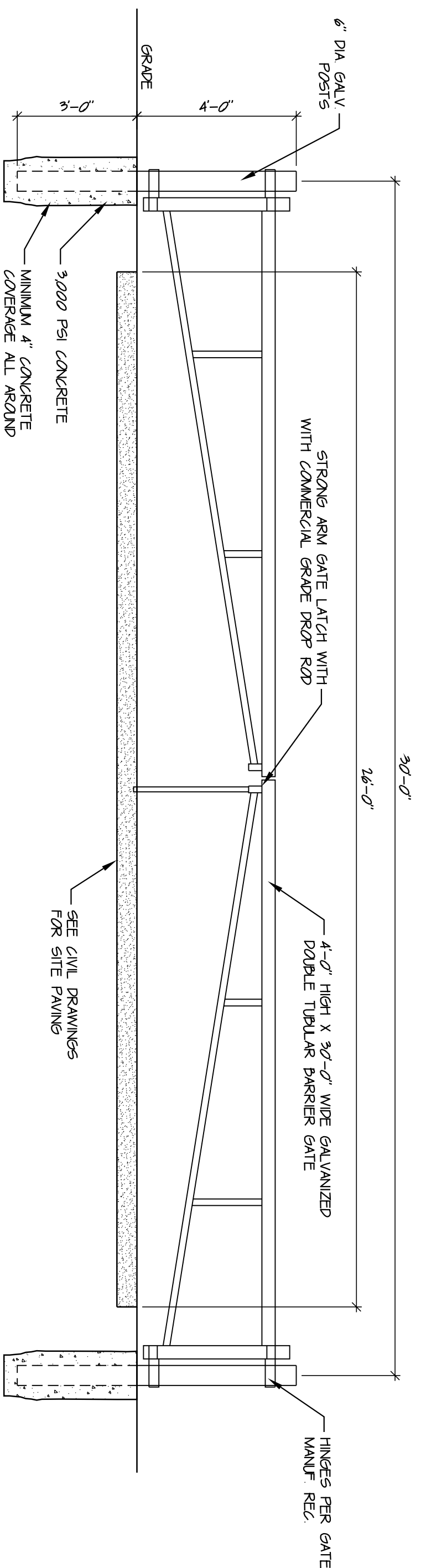
NOTE: EXISTING FENCE AND POSTS ON SITE TO BE REPELLED WHERE POSSIBLE - PROVIDE NEW FENCE TO MATCH EXISTING HEIGHT AND TYPE - SEE CIVIL DRAWINGS AND DEMO DRAWINGS



TYPICAL ACCESSORY & FIXTURE MOUNTING HEIGHTS

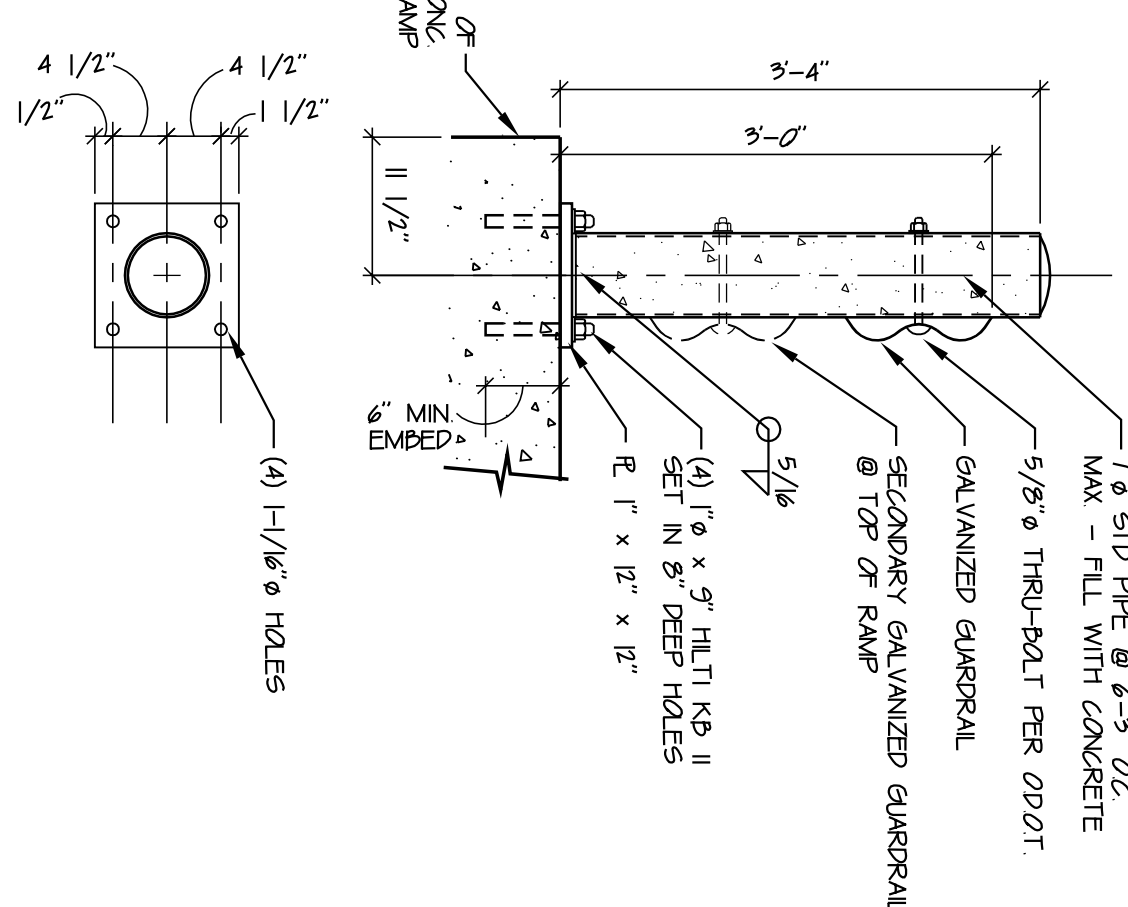
SCALE: 1/2" = 1'-0"

NOTE: ALL BOLLARDS & GUARDRAILS SHALL BE PAINTED ODOT "SAFETY YELLOW"

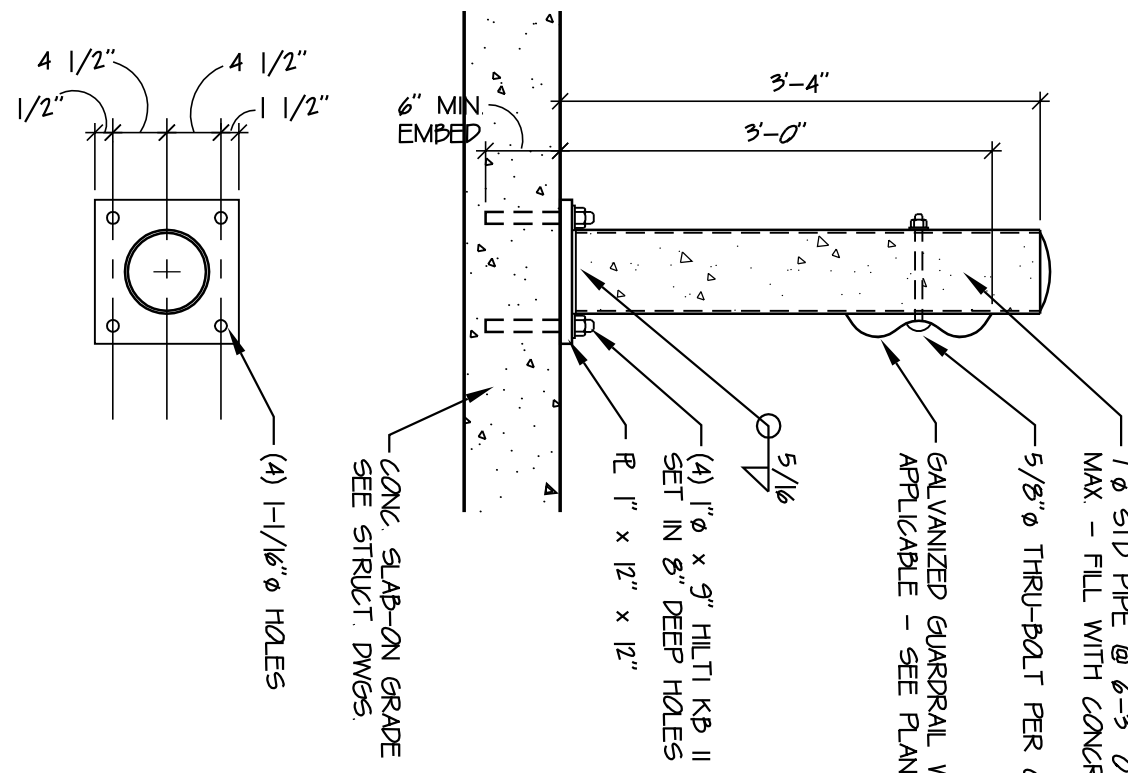


BARRIER GATE SECTION / ELEVATION

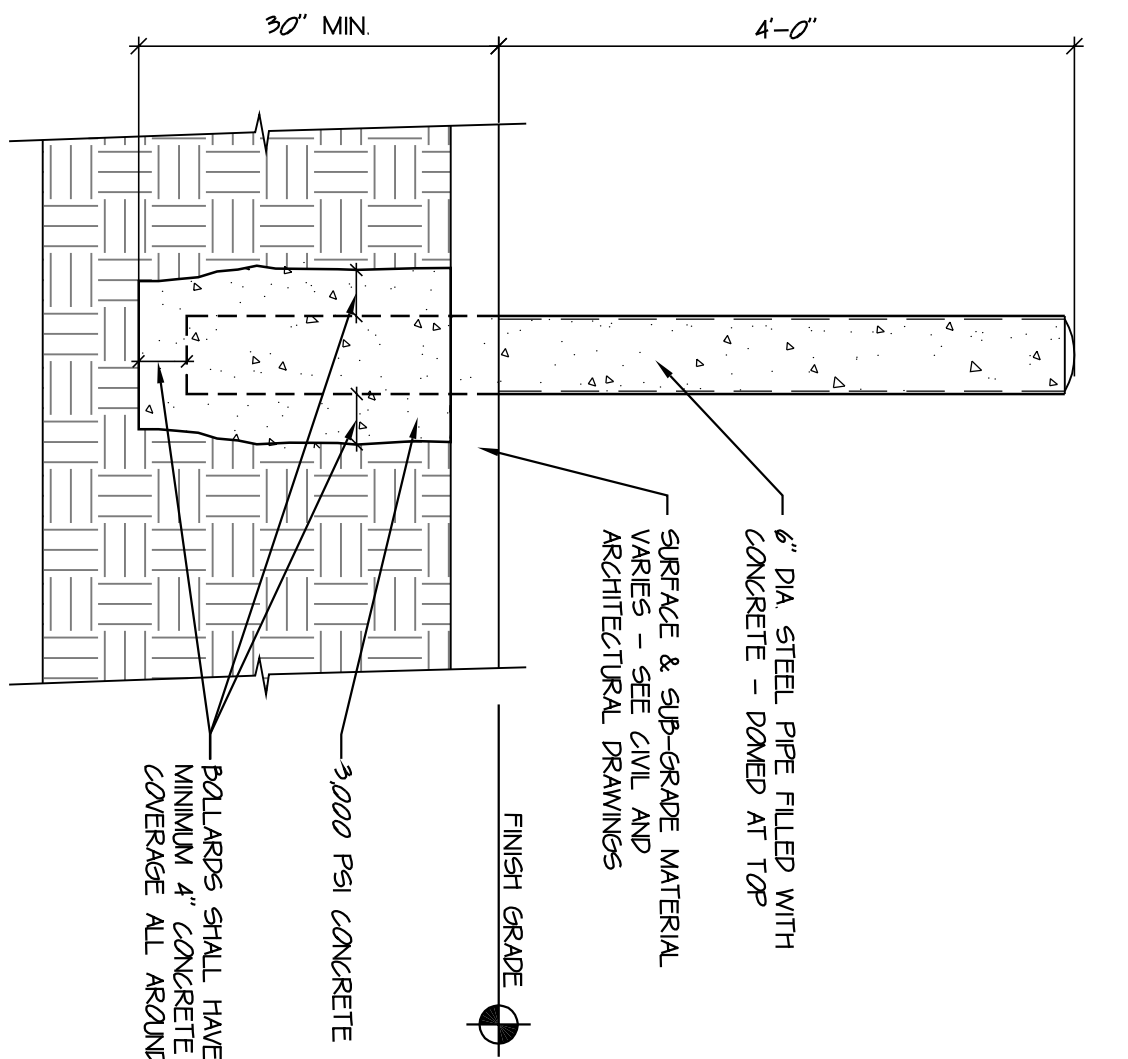
SCALE: 3/8" = 1'-0"



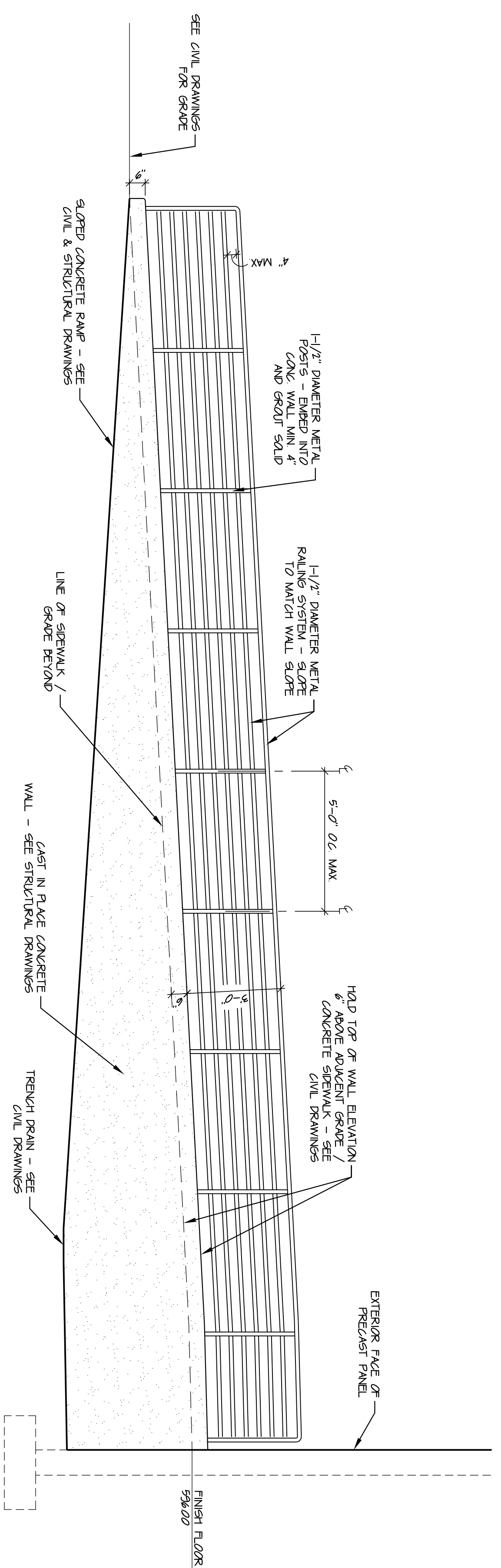
BOLLARD DETAIL A
SCALE: 3/4" = 1'-0"



BOLLARD DETAIL B
SCALE: 3/4" = 1'-0"



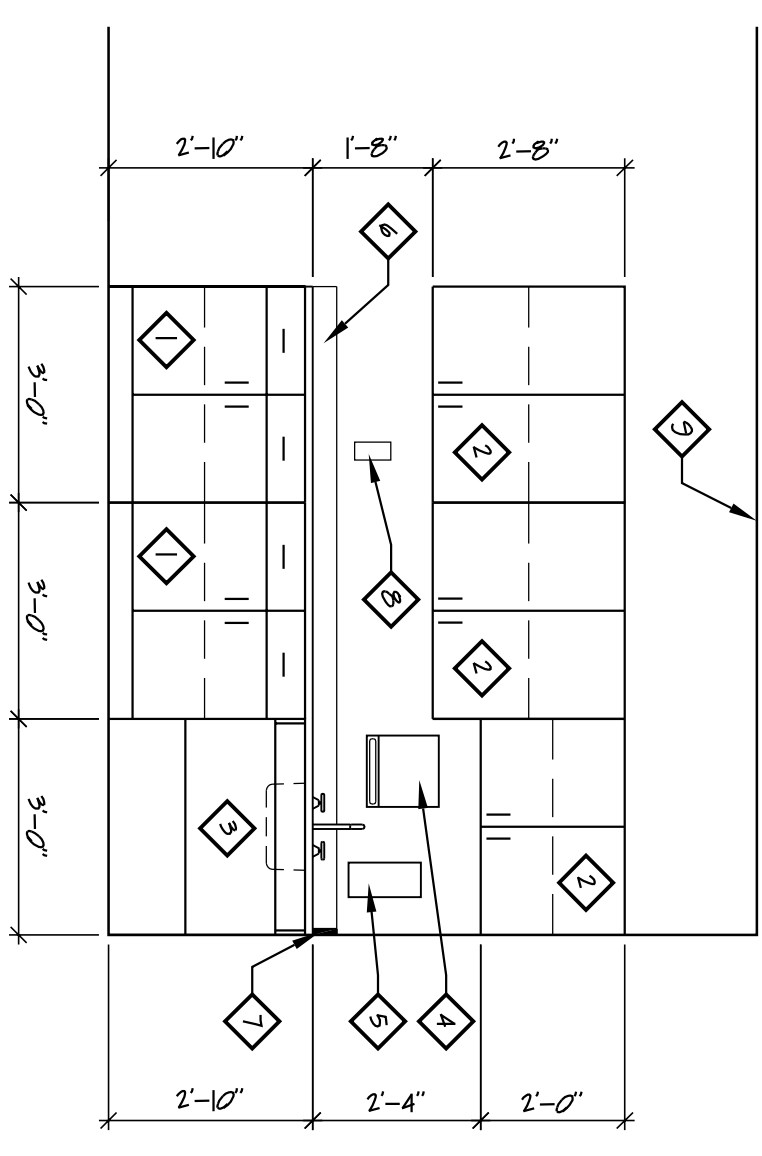
BOLLARD DETAIL C
SCALE: 3/4" = 1'-0"



CAST-IN PLACE CONCRETE WALL ELEVATION #1

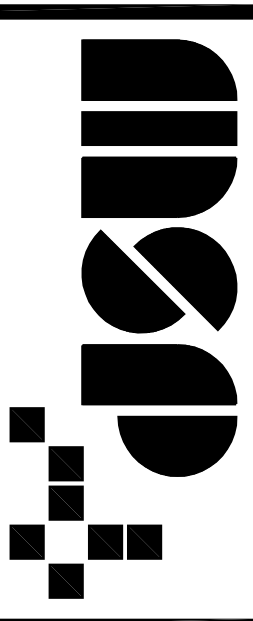
SCALE: 3/8" = 1'-0"

- CASEWORK NOTES**
- 1 DAGE CABINET WITH ADJUSTABLE STEEL
 - 2 WALL MOUNTED CABINET WITH ADJUSTABLE SHELF
 - 3 3'-0" HANDICAP ACCESSIBLE SINK DAGE
 - 4 APPROXIMATE LOCATION OF OWNER PROVIDED TOWEL DISPENSER
 - 5 REMOVE WOOD BLOCKING IN GYPSUM BOARD WALL
 - 6 APPROXIMATE LOCATION OF OWNER PROVIDED SOAP DISPENSER
 - 7 4" BACKSPRASH
 - 8 4" SPOURFLASH
 - 9 REMOVE ELECTRICAL RECEPTACLE FOR OWNER PROVIDED MICROPHONE AT 44" AFF. - SEE ELECTRICAL DRAWINGS OTHERWISE NOTED



BREAKROOM

SCALE: 3/8" = 1'-0"



McCall Smith Punshon, Inc.
3700 Park 42 Drive Suite 190B
Cincinnati, Ohio 45241-2097
Tel: 513-759-0004 • Fax: 513-563-7099
Engineers • Architects • Surveyors
Planners • Landscape Architects

Drawn By	DCC	Project Mbr.	RCM
CAD File	9733332-411		
X-Ref File			
Issue/Revision	Number	Date	
FOR PERMIT		07/18/12	
ADDENDUM #1	1	07/27/12	
FOR CONSTRUCTION		08/22/12	

NEW WAREHOUSE EXPANSION
FOR
Republic Wire
UNION CENTRE DRIVE
WEST CHESTER, OHIO 45069

Sheet Title	DETAILS
Project No.	9733332
Scale	AS NOTED
Sheet No.	A4.2
File No.	97333 32

© COPYRIGHT 2010, MCCALL SMITH PUNSHON, INC.