

McCall Smith Punshon, Inc.
 3700 Park 42 Drive Suite 190B
 Cincinnati, Ohio 45241-2097
 Tel 513-759-0004 • Fax 513-563-7099
 Engineers • Architects • Surveyors
 Planners • Landscape Architects

Drawn By DCC Project Mgr. RCM
 CAD File 9733332-41
 X-Ref File

Issue/Revision	Revision Number	Date
FOR PERMIT	1	07/26/12
ADDENDUM #1	2	08/22/12
FOR CONSTRUCTION		

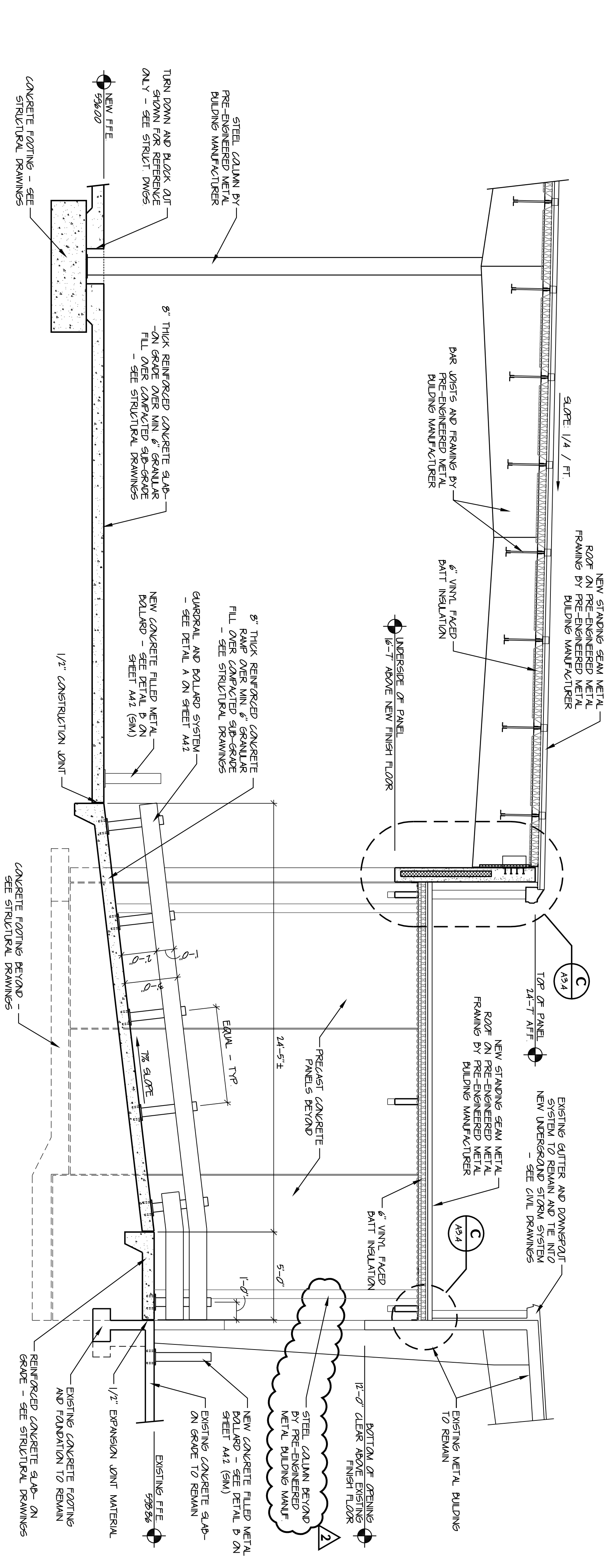
© COPYRIGHT 2010, MCCALL SMITH PUNSHON, INC.

NEW WAREHOUSE EXPANSION FOR *Republic Wire* UNION CENTRE DRIVE WEST CHESTER, OHIO 45069

Sheet Title

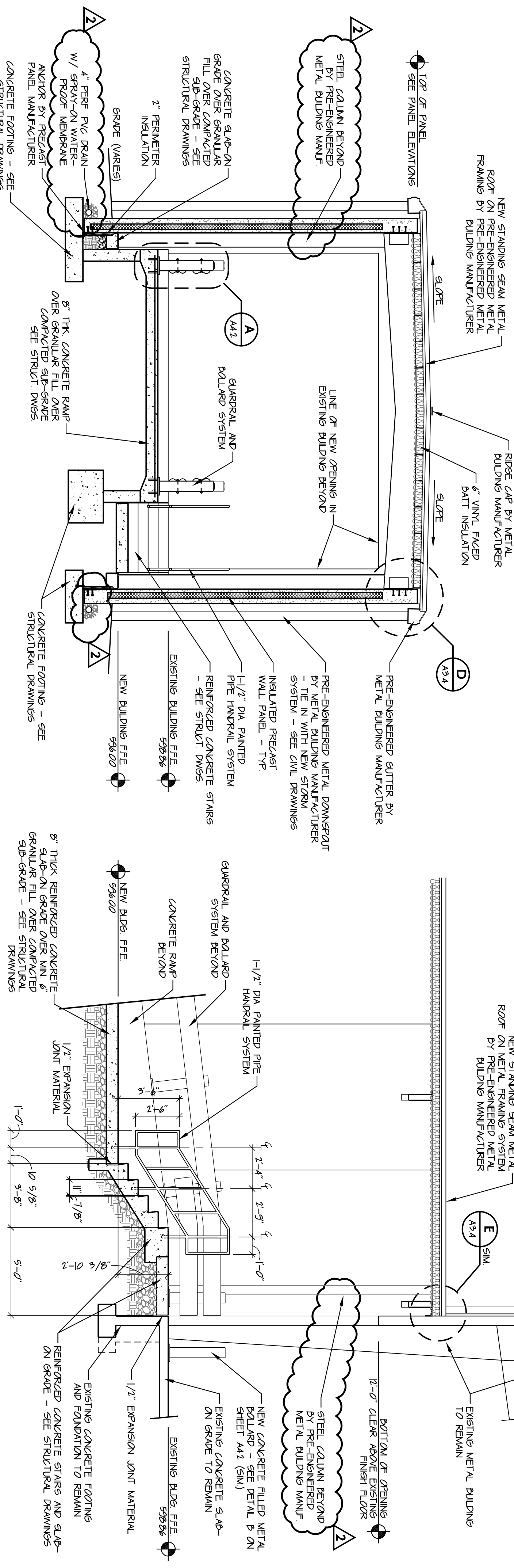
ENLARGED SECTIONS

Project No. 9733332
 Scale AS NOTED
 Sheet No. A3.3
 File No. 97333 32



RAMP SECTION

SCALE 1/4" = 1'-0"



BREZEWAY SECTION

SCALE 1/4" = 1'-0"

BREZEWAY SECTION

SCALE 1/4" = 1'-0"