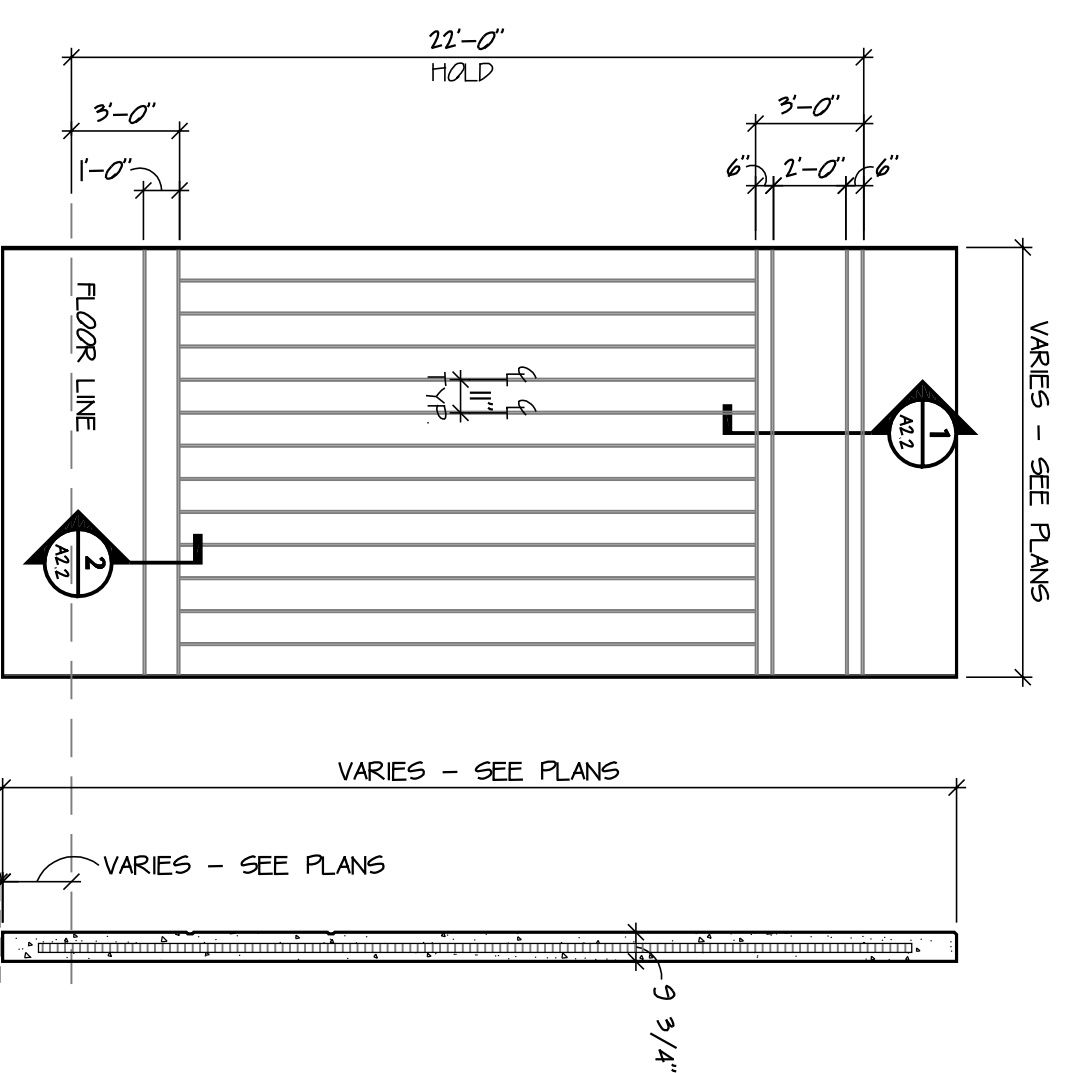
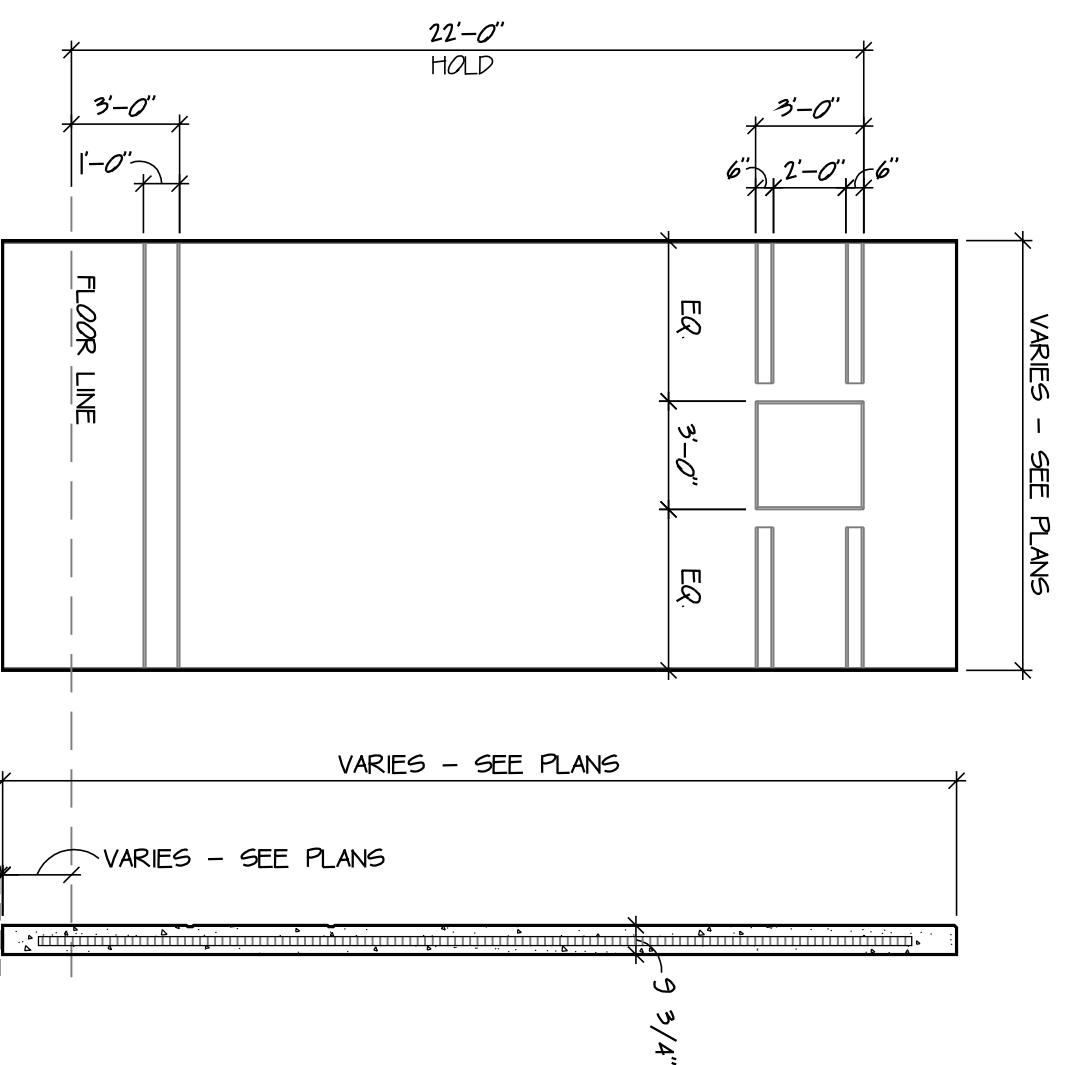


NOTE: VERTICAL FLUTES NOT TYPICAL AT ALL PANELS - SEE SHEET A41 FOR LOCATION

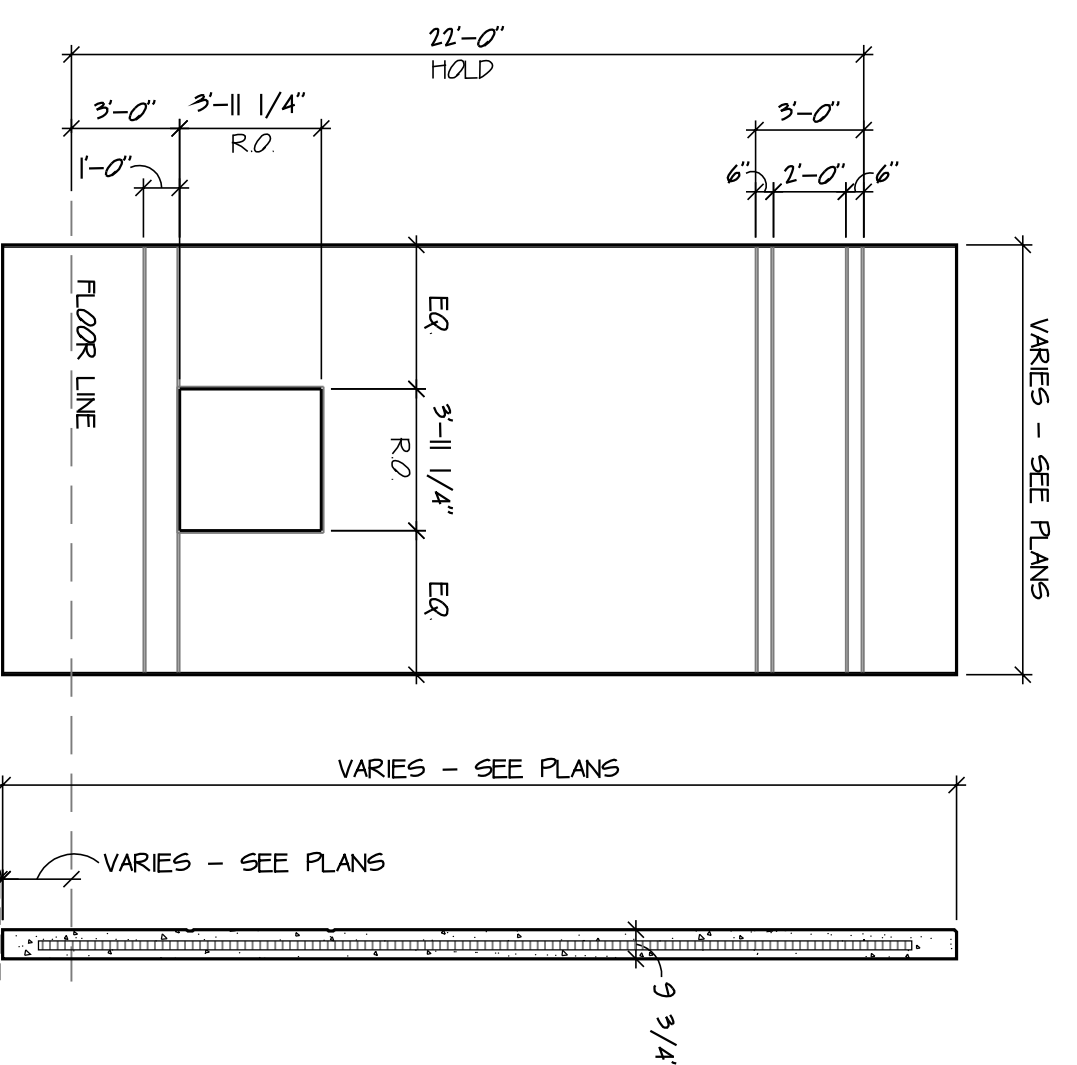


TYPICAL PANEL - TYPE 1
SCALE: 3/16" = 1'-0"

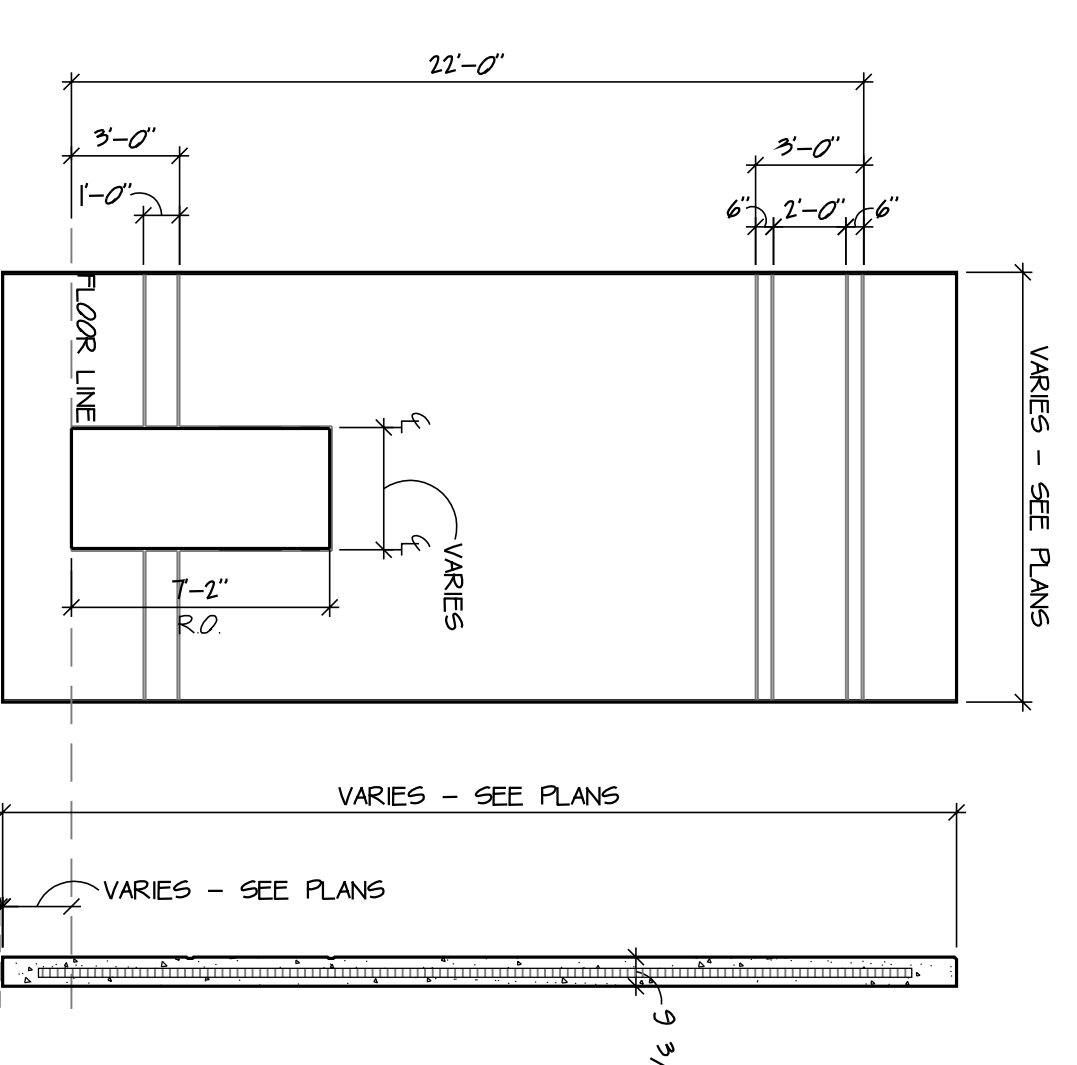
NOTE: SQUARE VENTILATION NOT TYPICAL AT ALL PANELS - SEE SHEET A41 FOR LOCATION



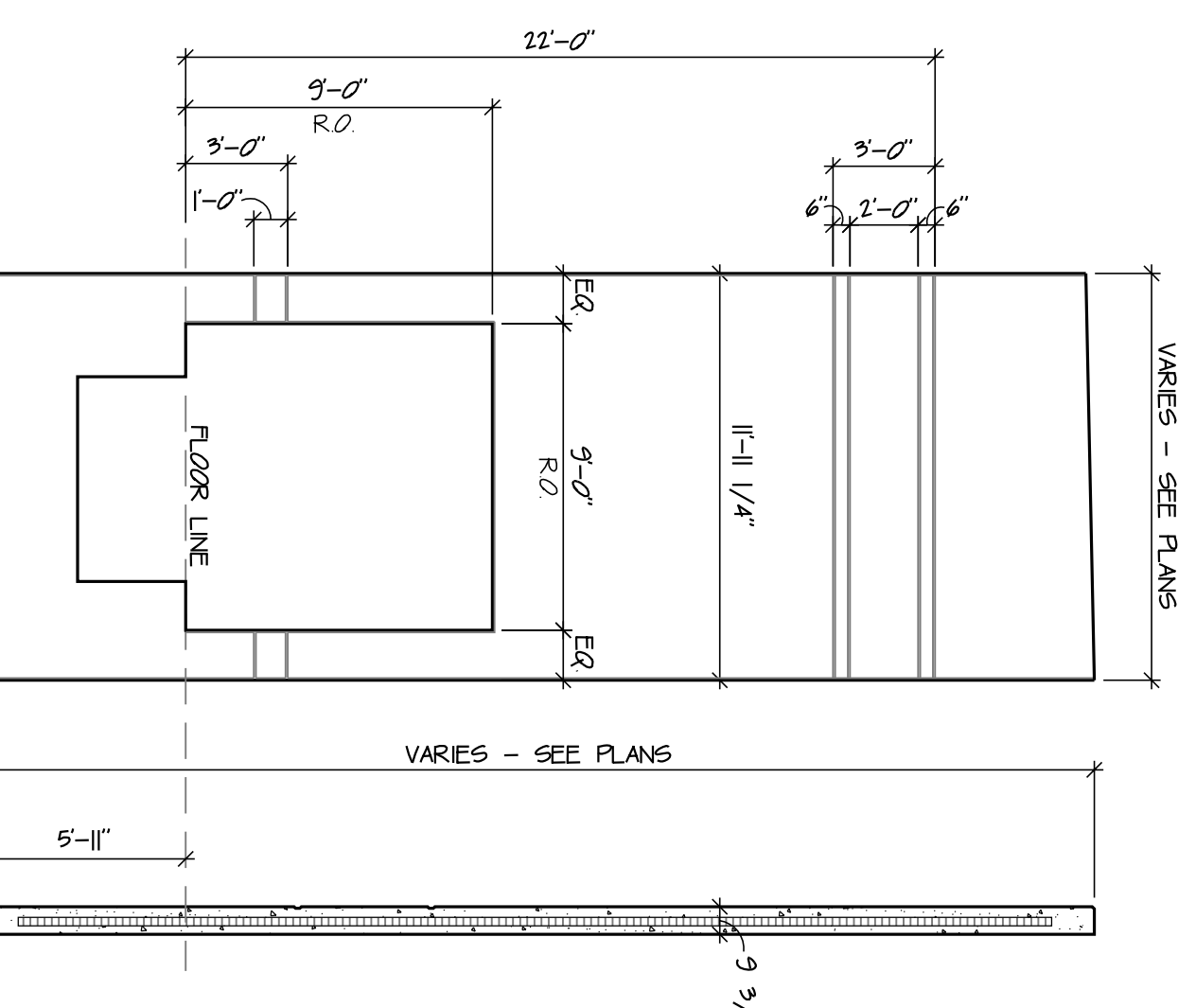
TYPICAL PANEL - TYPE 2
SCALE: 3/16" = 1'-0"



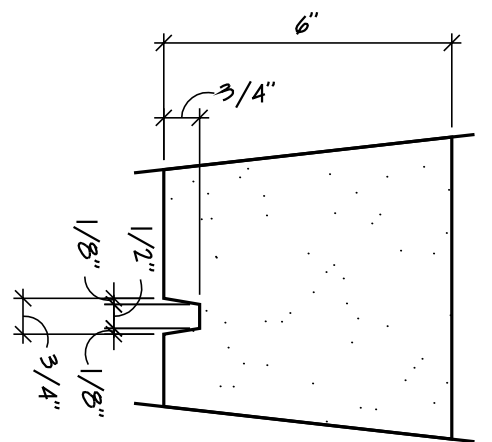
TYPICAL PANEL - TYPE 3 WINDOW
SCALE: 3/16" = 1'-0"



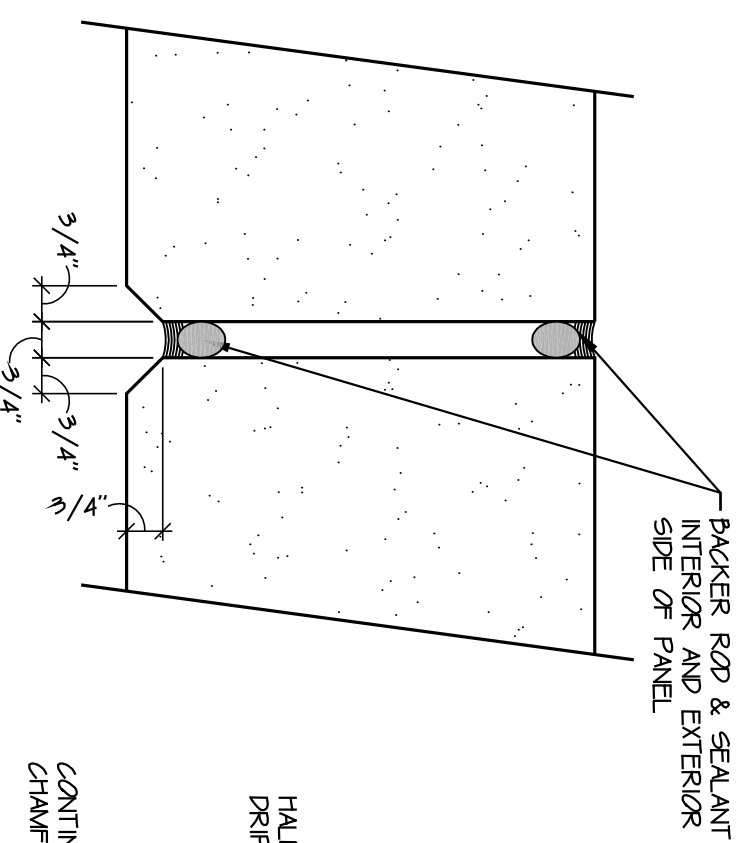
TYPICAL PANEL - TYPE 4 DOOR
SCALE: 3/16" = 1'-0"



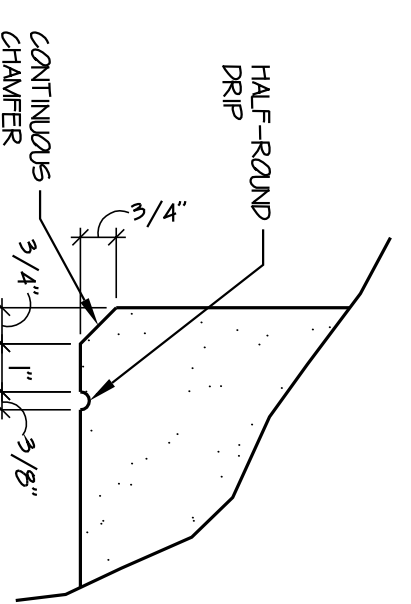
PRECAST PANEL - TYPE 5 OH. DOOR
SCALE: 3/16" = 1'-0"



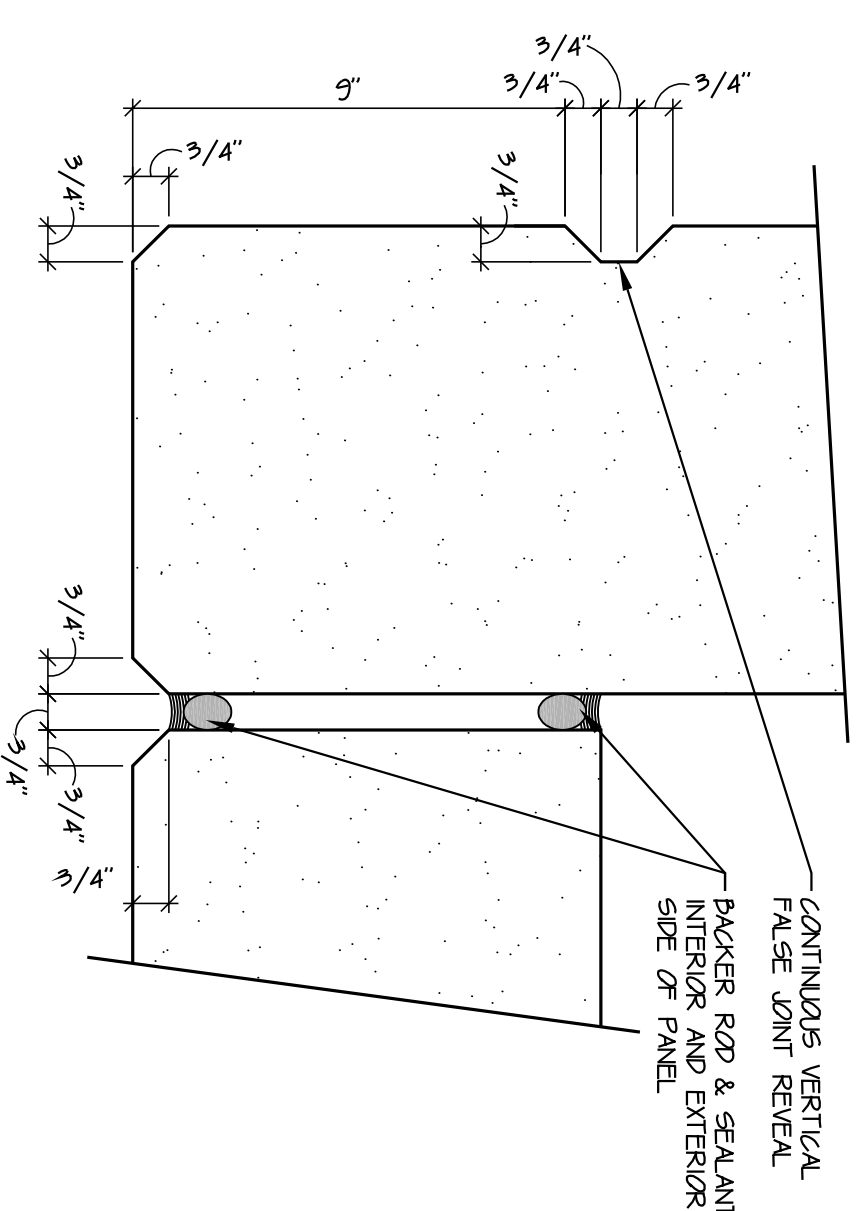
VERT. FLUTE REVEAL
SCALE: 3" = 1'-0"
A22



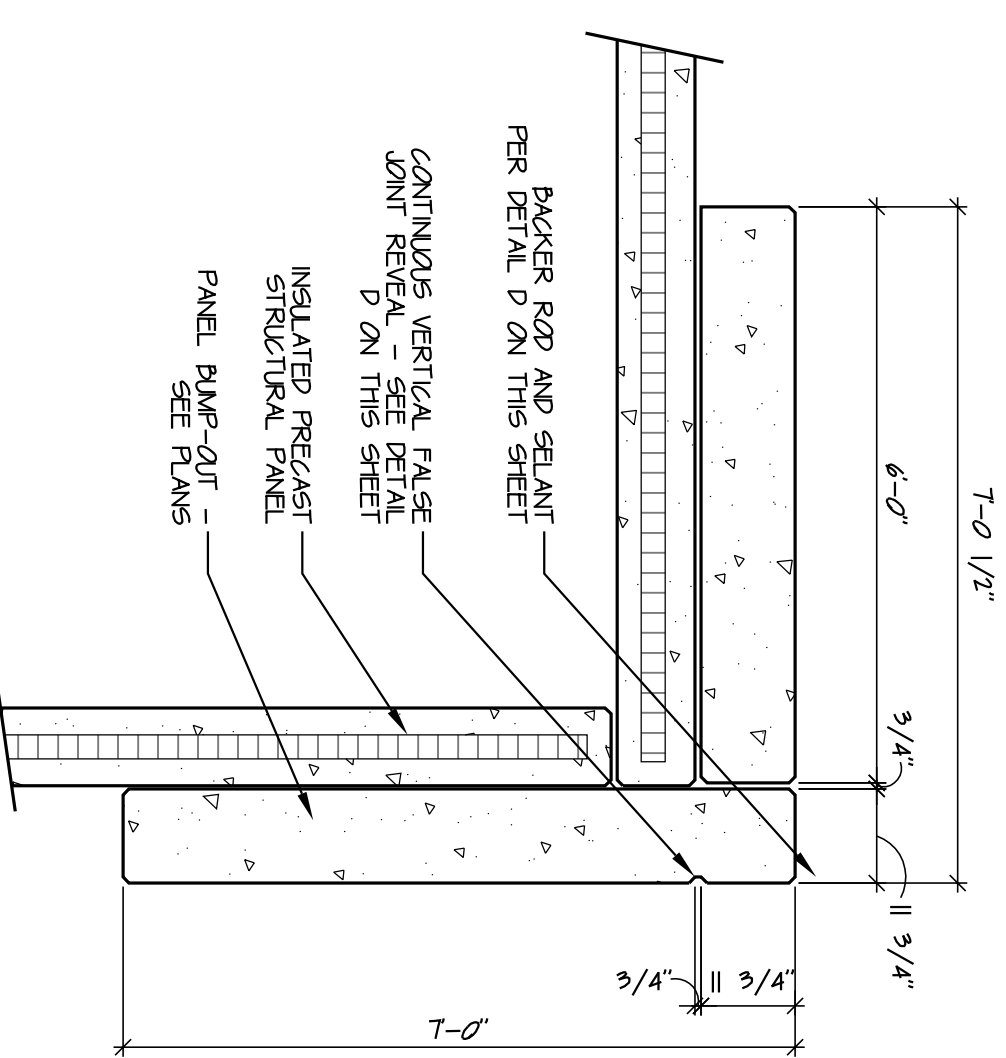
PANEL JOINT
SCALE: 3" = 1'-0"
A22



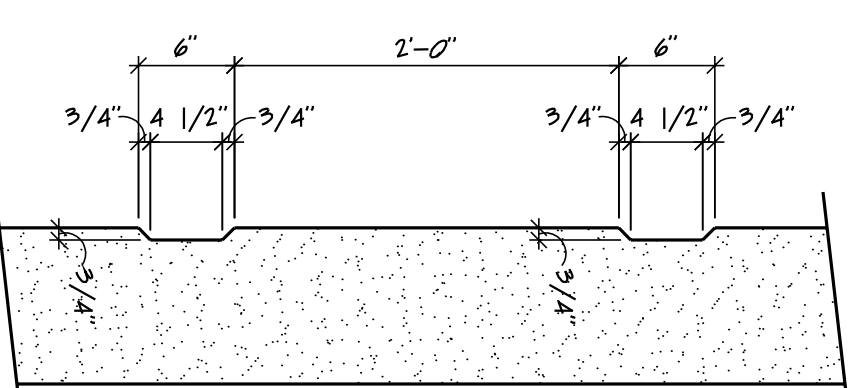
DRIP JOINT
SCALE: 3" = 1'-0"
A22



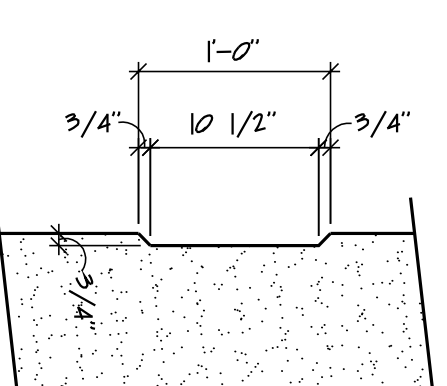
CORNER DETAIL
SCALE: 3" = 1'-0"
A22



CORNER BUMP OUT
SCALE: 1/2" = 1'-0"
A22



REVEAL 1
SCALE: 1" = 1'-0"
A22



REVEAL 2
SCALE: 1" = 1'-0"
A22

PRECAST PANEL NOTES

1. SEE FLOOR PLANS AND ELEVATIONS FOR APPROPRIATE PANEL JOINT LOCATIONS - PANEL WIDTH AND HEIGHT TO BE DETERMINED BY PRECAST PANEL MANUFACTURER
2. PROVIDE FALSE REVEAL AT ALL BLITZ CORNER CONDITIONS PER DETAIL D ON THIS SHEET
3. CENTERLINE DIMENSIONS SHOWN ON PANEL ARE TAKEN TO CENTER OF 3/4" REVEAL
4. PRECAST MANUFACTURER TO COORDINATE ALL REQUIRED PANEL PENETRATIONS AND OPENINGS WITH ARCHITECTURAL, MECHANICAL, PLUMBING AND ELECTRICAL DRAWINGS
5. SEE STRUCTURAL DRAWINGS FOR TOP OF FOOTING ELEVATION TO DETERMINE OVERALL PANEL HEIGHT
6. PANELS WITH SLOPED TOP ARE TO MATCH ROOF SLOPE 1/4" PER FOOT
7. SEE SHEET A41 FOR SPECIAL PRECAST PANEL RAINING REQUIREMENTS
8. CORNER BUMP OUT PANELS TOP OF PANEL TO BE HELD 4" MIN FROM UNDERSIDE OF GUTTER / FASCIA



McGill Smith Punston, Inc.
3700 Park 42 Drive Suite 1908
Cincinnati, Ohio 45241-2097
Tel: 513-759-0004 • Fax: 513-563-7099
Engineers • Architects • Surveyors
Planners • Landscape Architects

Drawn By: DCC Project Mgr.: RCM
CAD File: 973332-411
X-Ref File:

Issue/Revision	Revision Number	Date
FOR PERMIT	07/18/12	
FOR CONSTRUCTION	08/22/12	

NEW WAREHOUSE EXPANSION
FOR
Republic Wire
UNION CENTRE DRIVE
WEST CHESTER, OHIO 45069

Sheet Title
PRECAST PANEL DETAILS

Project No. 9733332
Scale AS NOTED

Sheet No. A2.2
File No. 97333 32