

McGill Smith Punston, Inc.
 3700 Park 42 Drive Suite 1908
 Cincinnati, Ohio 45241-2097
 Tel. 513-759-0004 • Fax 513-563-7099
 Engineers • Architects • Surveyors
 Planners • Landscape Architects

Drawn by DCC Project Wbr. RCM
 CAD File 973332-41
 X-Ref File

Issue/Revision	Revision Number	Date
FOR PERMIT	07/18/12	
FOR CONSTRUCTION	08/22/12	
CORRECTION LETTER		

DOOR NUMBER	QUAN	WIDTH	HEIGHT	THICK	DOOR MATERIAL	DOOR ELEV.	FRAME MATERIAL	FRAME ELEV.	JAMB	SILL	NOTES	HARDWARE SET
01	1	3'-0"	7'-0"	1 3/4"	HOLLOW METAL	D-1	HOLLOW METAL	F-1	H2	J2	S2	7.9
02	1	3'-0"	7'-0"	1 3/4"	HOLLOW METAL	D-1	HOLLOW METAL	F-1	H2	J2	S2	7.9
03	1	3'-0"	7'-0"	1 3/4"	HOLLOW METAL	D-1	HOLLOW METAL	F-1	H2	J2	S2	7.9
04	1	3'-0"	7'-0"	1 3/4"	HOLLOW METAL	D-1	HOLLOW METAL	F-1	H2	J2	S2	7.9
05	1	3'-0"	7'-0"	1 3/4"	HOLLOW METAL	D-1	HOLLOW METAL	F-1	H2	J2	S2	7.9
06	1	3'-0"	7'-0"	1 3/4"	HOLLOW METAL	D-1	HOLLOW METAL	F-1	H2	J2	S2	7.9
07	1	3'-0"	7'-0"	1 3/4"	HOLLOW METAL	D-1	HOLLOW METAL	F-1	H2	J2	S2	7.9
08	2	3'-0"	7'-0"	1 3/4"	HOLLOW METAL	D-1	HOLLOW METAL	F-1	H2	J2	S2	4
09	1	3'-0"	7'-0"	1 3/4"	HOLLOW METAL	D-1	HOLLOW METAL	F-1	H1	J1	S1	3
10	1	3'-0"	7'-0"	1 3/4"	HOLLOW METAL	D-1	HOLLOW METAL	F-1	H1	J1	S1	3
11	1	4'-0"	7'-0"	1 3/4"	HOLLOW METAL	D-1	HOLLOW METAL	F-1	H1	J1	S1	1
12	1	3'-0"	7'-0"	1 3/4"	HOLLOW METAL	D-1	HOLLOW METAL	F-1	H1	J1	S1	5
13	1	3'-0"	7'-0"	1 3/4"	HOLLOW METAL	D-1	HOLLOW METAL	F-1	H1	J1	S1	6
13	1	3'-0"	7'-0"	1 3/4"	HOLLOW METAL	D-1	HOLLOW METAL	F-1	H1	J1	S1	7

DOOR SCHEDULE NOTES

- DOOR TO RECEIVE K2 GRADE 2 PASSAGE CYLINDRICAL LEVER LOCKSET - PROVIDE K3 CLOSER
- DOOR TO RECEIVE K2 GRADE 2 PRIVACY CYLINDRICAL LEVER LOCKSET - PROVIDE K3 CLOSER
- DOOR TO RECEIVE K2 GRADE 2 OFFICE CYLINDRICAL LEVER LOCKSET - PROVIDE K3 CLOSER
- DOOR TO RECEIVE K2 GRADE 2 STORAGE CYLINDRICAL LEVER LOCKSET - PROVIDE K3 CLOSER
- DOOR TO RECEIVE FISH TAIL HARDWARE - PROVIDE CLOSER
- ALL DOOR FRAMES TO BE PRIMED AND PAINTED - COLOR AS SELECTED BY OWNER
- PROVIDE EMERGENCY EXIT SIGN OVER DOOR - SEE ELECTRICAL DRAWINGS
- ALL DOORS IN EXTERIOR WALLS TO ALWAYS BE LOCKED FROM THE OUTSIDE
- DOOR TO ALWAYS ALLOW EGRESS FROM THE BUILDING INTERIOR
- SEE SPECIFICATIONS FOR HARDWARE SETS
- DOOR TO BE 3 HR RATED

WINDOW SCHEDULE

MARK	WIDTH	HEIGHT	SILL	HEAD	JAMB	SILL	TYPE OF GLASS	REMARKS	NOTES
(A)	4'-0"	4'-0"	3'-0" AFF	H3	J3	S3	REGULATED	FIXED ALUMINUM	1, 3
(B)	4'-0"	4'-0"	4'-0" AFF	H4	J4	S4	INTERIOR	FIXED HOLLOW METAL	2

WINDOW SCHEDULE NOTES

- HOLLOW METAL WINDOW WITH HORIZONTAL BLINDS - SEE DETAILS
- ALUMINUM WINDOW WITH HORIZONTAL BLINDS - SEE DETAILS
- ALUMINUM WINDOW IN OFFICE TO RECEIVE FURRING AND GRP BP - NO FURRING AND GRP BP AT WINDOW IN WAREHOUSE - SEE PLANS

ROOM FINISH SCHEDULE

ROOM #	ROOM DESIGNATION	HEIGHT	Ceilings	WALLS	FLOOR	BASE	NOTES
01	LARGE OFFICE	9'-0"	C-1	NORTH W-1 EAST W-1 SOUTH W-1 WEST W-1	W-1	B-1	
02	SMALL OFFICE	9'-0"	C-1	W-1	W-1	B-1	
03	BREAK ROOM	9'-0"	C-1	W-1	W-1	B-1	
04	MENS RESTROOM	9'-0"	C-2	W-1	W-1	B-1	
05	UNisex RESTROOM	9'-0"	C-2	W-1	W-1	B-1	

FINISH SCHEDULE NOTES

- ALL INSTALLED FINISHES SHALL COMPLY WITH OHIO BUILDING CODE CHAPTER 5, SPECIFICALLY TABLE 809.5 FOR FLAME SPREAD AND SMOKE DEVELOPMENT RATINGS
- PROVIDE GRP FINISHING SEMIFINISH FOR SCHEDULED FINISHES INCLUDING MINIMUM 2 RANES OF WAINUT/CLOUTIER'S COLORS FOR EACH SELECTION - TYP
- CEILING IN OFFICE AREA SHALL BE SUPERFED ACUSTIC TILE @ 9'-0" AFF
- GYPSUM BOARD ASSEMBLY NOTES PERFORM WORK IN ACCORDANCE WITH ASTM C840 AND CONFORM WITH RECOMMENDATIONS FROM THE GYPSUM ASSOCIATION METAL STUD FRAMING TO COMPLY WITH ASTM C445 6A-216 AND 6A-600 12 GA GALVANIZED SHEET STEEL, GYPSUM BOARD TO COMPLY WITH ASTM C1294/ 1295 5/8" TYPE "X" GYPSUM BOARD - BOTH SIDES
- CEILING FINISH SHALL BE SUPERFED ACUSTIC TILE @ 9'-0" AFF
- GYPSUM BOARD IN ACCORDANCE WITH ASTM C840 6A-216 AND 6A-600 PLATE EDGES SQUARE CUT TYPED AND BEVELLED SQUARE EDGES METALL GYPSUM BOARD IN ACCORDANCE WITH ASTM C840 6A-216 AND 6A-600 JOINT TREATMENT TO BE FINISHED IN ACCORDANCE WITH 6A-214 LEVEL 4

MATERIALS LEGEND

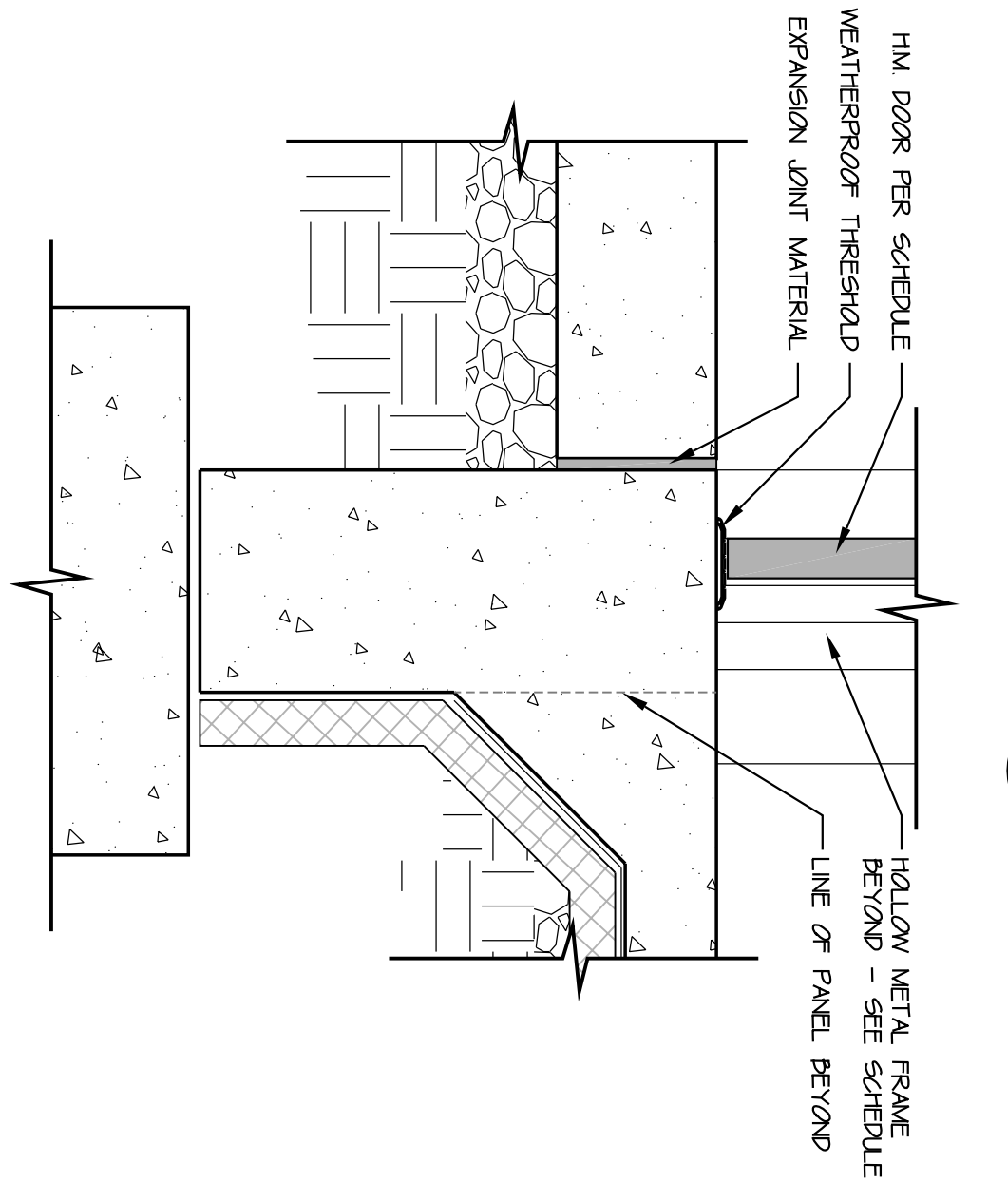
- B-1 4" CONCD CONCRETE - COLOR AS SELECTED BY OWNER
- W-1 PAINT - SHERWIN WILLIAMS FULL WALLS TO BE PAINTED TO RECEIVE ONE (1) COAT OVER PRIMER COAT - COLOR BY OWNER
- C-1 1 x 4 SUPERFED ACUSTIC TILE BY ARABSTRONG - TYPE III, MINERAL BASE FORM 1 MODULE WITH SQUARE EDGES
- C-2 1 x 4 SUPERFED ACUSTIC TILE BY ARABSTRONG - SCRIPABLE VINYL
- F-1 1" x 4" ARABSTRONG - COLOR BY OWNER

DOOR SCHEDULE

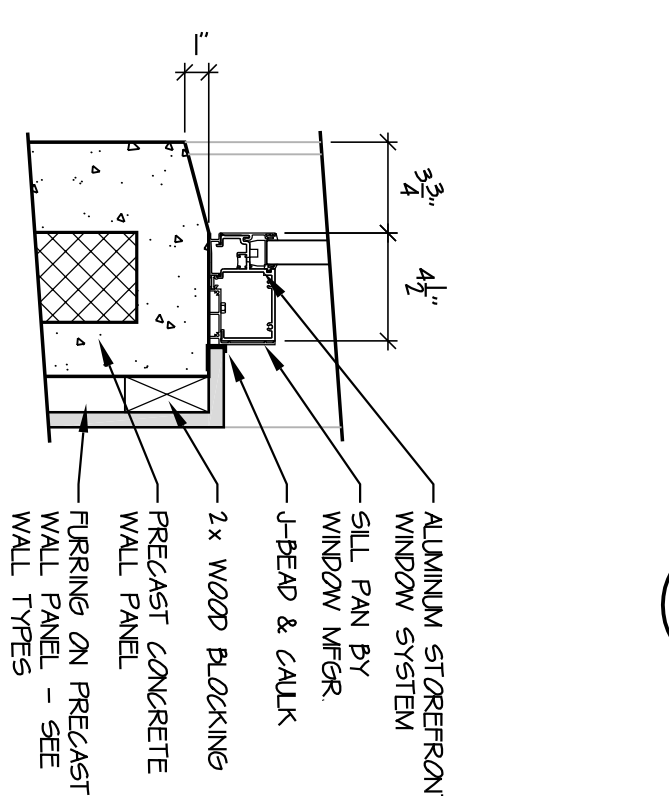
DOOR DATA				FRAME DATA				DETAILS				HARDWARE
DOOR NUMBER	QUAN	WIDTH	HEIGHT	THICK	DOOR MATERIAL	DOOR ELEV.	FRAME MATERIAL	FRAME ELEV.	JAMB	SILL	NOTES	HARDWARE SET
01	1	3'-0"	7'-0"	1 3/4"	HOLLOW METAL	D-1	HOLLOW METAL	F-1	H2	J2	S2	7.9
02	1	3'-0"	7'-0"	1 3/4"	HOLLOW METAL	D-1	HOLLOW METAL	F-1	H2	J2	S2	7.9
03	1	3'-0"	7'-0"	1 3/4"	HOLLOW METAL	D-1	HOLLOW METAL	F-1	H2	J2	S2	7.9
04	1	3'-0"	7'-0"	1 3/4"	HOLLOW METAL	D-1	HOLLOW METAL	F-1	H2	J2	S2	7.9
05	1	3'-0"	7'-0"	1 3/4"	HOLLOW METAL	D-1	HOLLOW METAL	F-1	H2	J2	S2	7.9
06	1	3'-0"	7'-0"	1 3/4"	HOLLOW METAL	D-1	HOLLOW METAL	F-1	H2	J2	S2	7.9
07	1	3'-0"	7'-0"	1 3/4"	HOLLOW METAL	D-1	HOLLOW METAL	F-1	H2	J2	S2	7.9
08	2	3'-0"	7'-0"	1 3/4"	HOLLOW METAL	D-1	HOLLOW METAL	F-1	H2	J2	S2	4
09	1	3'-0"	7'-0"	1 3/4"	HOLLOW METAL	D-1	HOLLOW METAL	F-1	H1	J1	S1	3
10	1	3'-0"	7'-0"	1 3/4"	HOLLOW METAL	D-1	HOLLOW METAL	F-1	H1	J1	S1	3
11	1	4'-0"	7'-0"	1 3/4"	HOLLOW METAL	D-1	HOLLOW METAL	F-1	H1	J1	S1	1
12	1	3'-0"	7'-0"	1 3/4"	HOLLOW METAL	D-1	HOLLOW METAL	F-1	H1	J1	S1	5
13	1	3'-0"	7'-0"	1 3/4"	HOLLOW METAL	D-1	HOLLOW METAL	F-1	H1	J1	S1	6
13	1	3'-0"	7'-0"	1 3/4"	HOLLOW METAL	D-1	HOLLOW METAL	F-1	H1	J1	S1	7

NOT USED

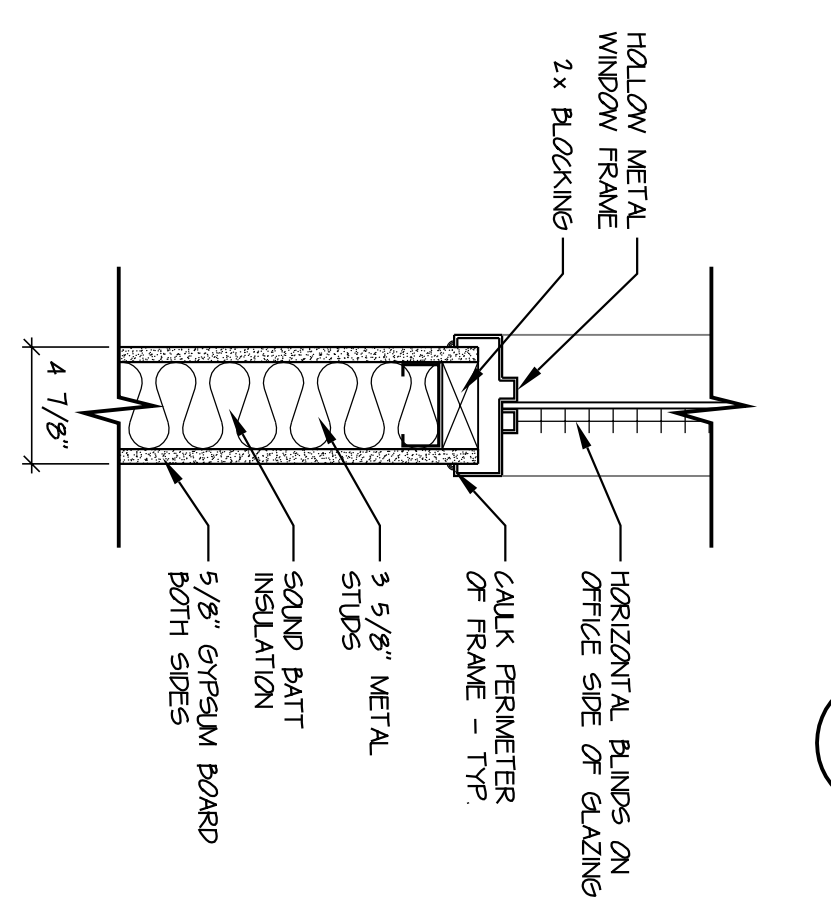
SILL DETAIL S1
 SCALE: 1/2" = 1'-0"



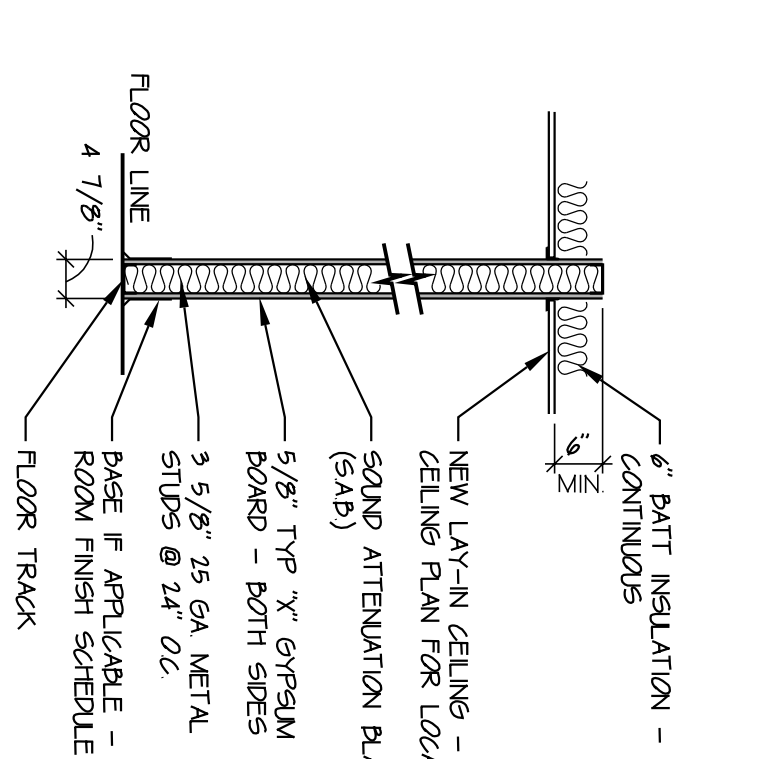
SILL DETAIL S2
 SCALE: 1/2" = 1'-0"



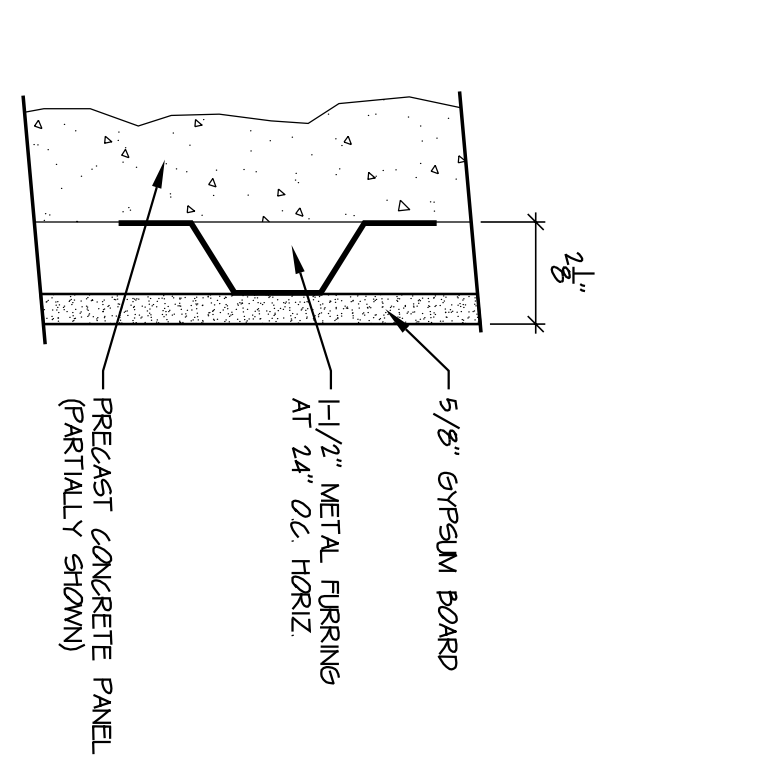
SILL DETAIL S3
 SCALE: 1/2" = 1'-0"



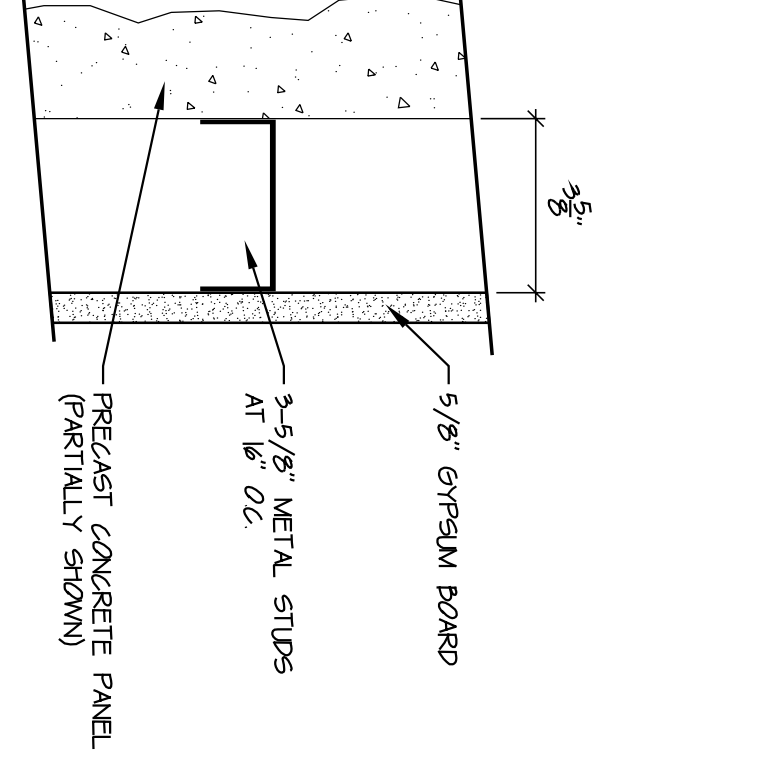
SILL DETAIL S4
 SCALE: 1/2" = 1'-0"



WALL TYPE 1
 ULL DESIGN NUMBER: N/A



WALL TYPE 2
 ULL DESIGN NUMBER: N/A

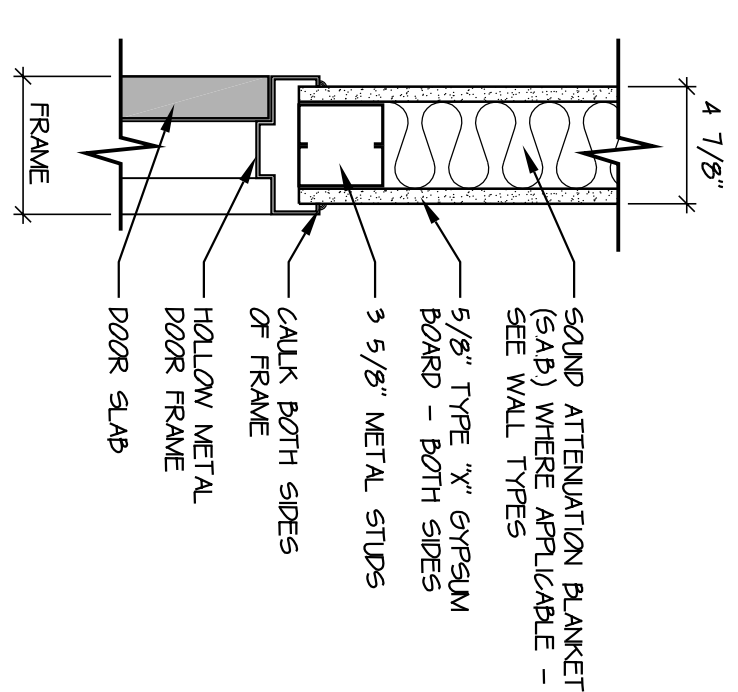


WALL TYPE 3
 ULL DESIGN NUMBER: N/A

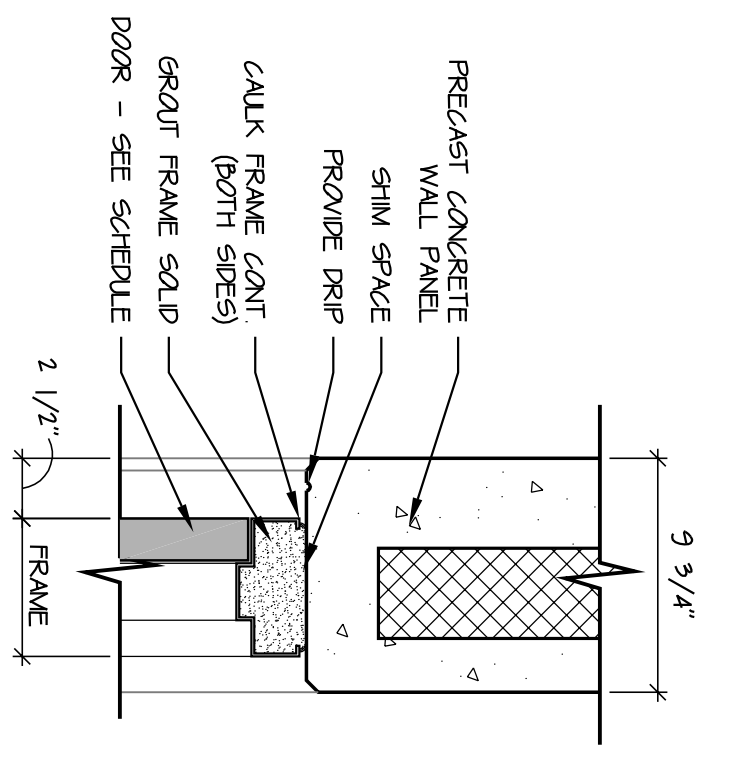


WALL TYPE 4
 ULL DESIGN NUMBER: N/A

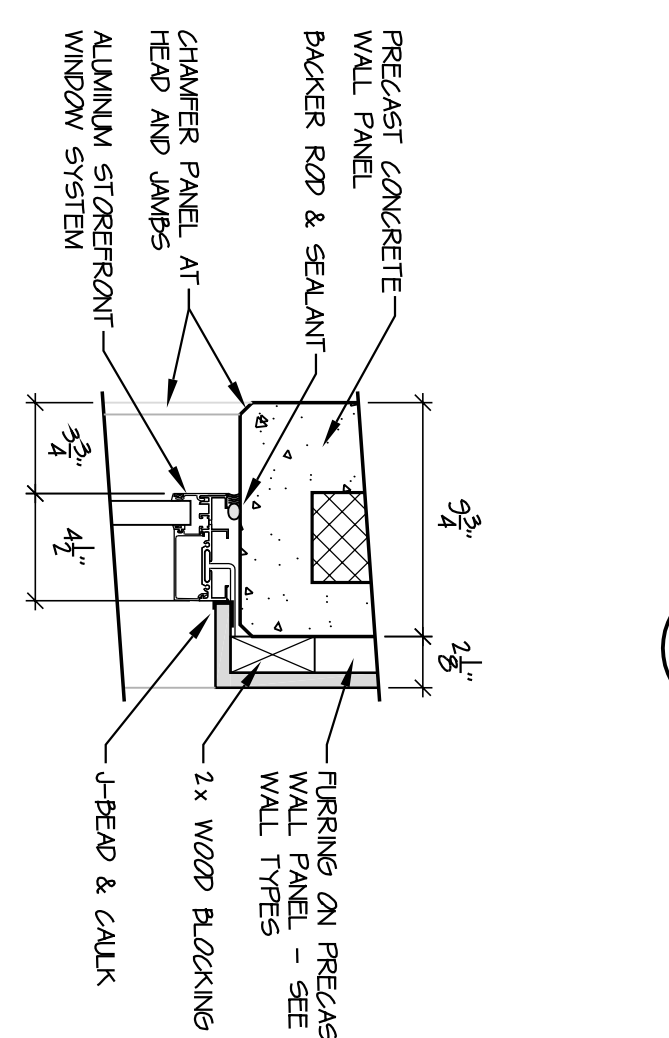
HEAD DETAIL H1
 SCALE: 1/2" = 1'-0"



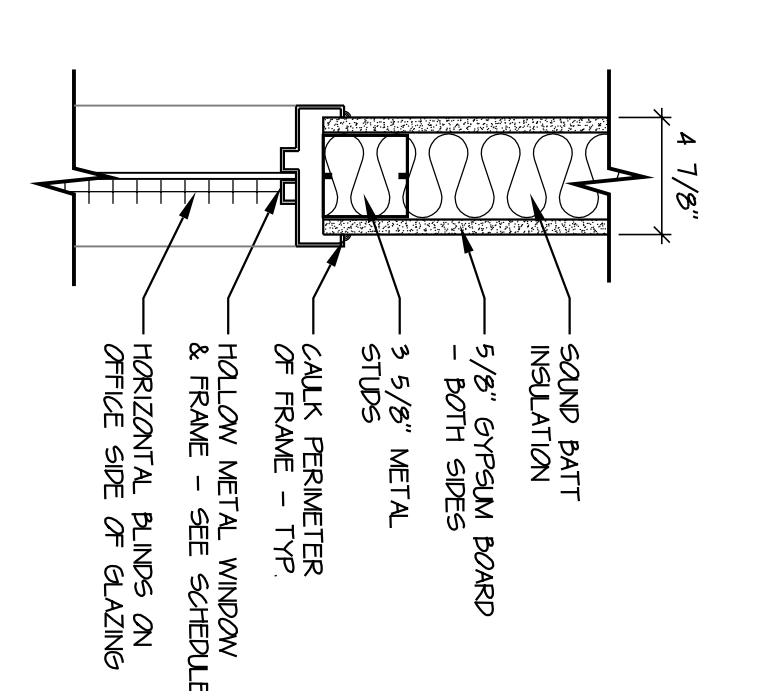
HEAD DETAIL H2
 SCALE: 1/2" = 1'-0"



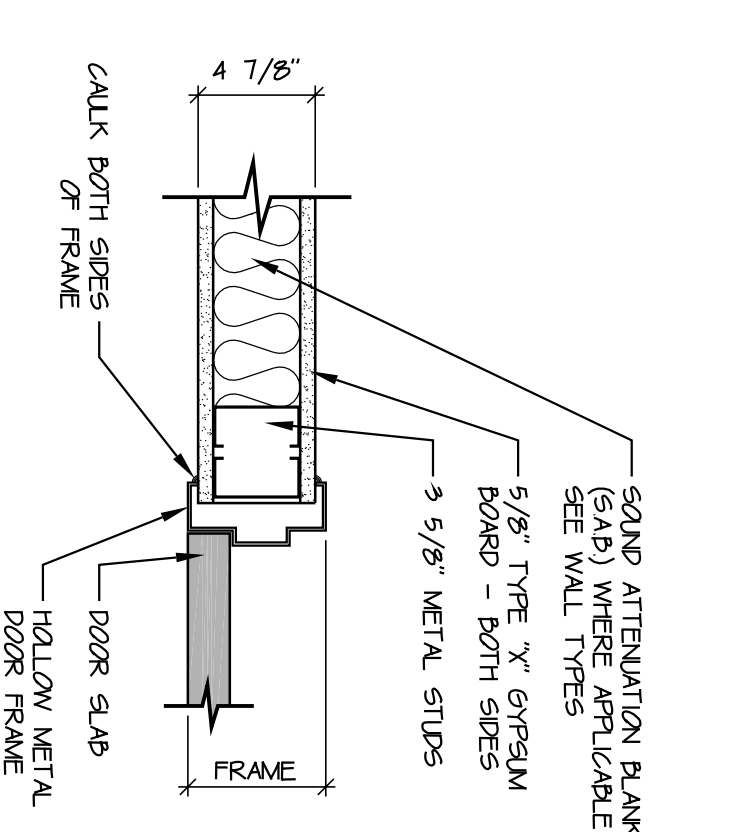
HEAD DETAIL H3
 SCALE: 1/2" = 1'-0"



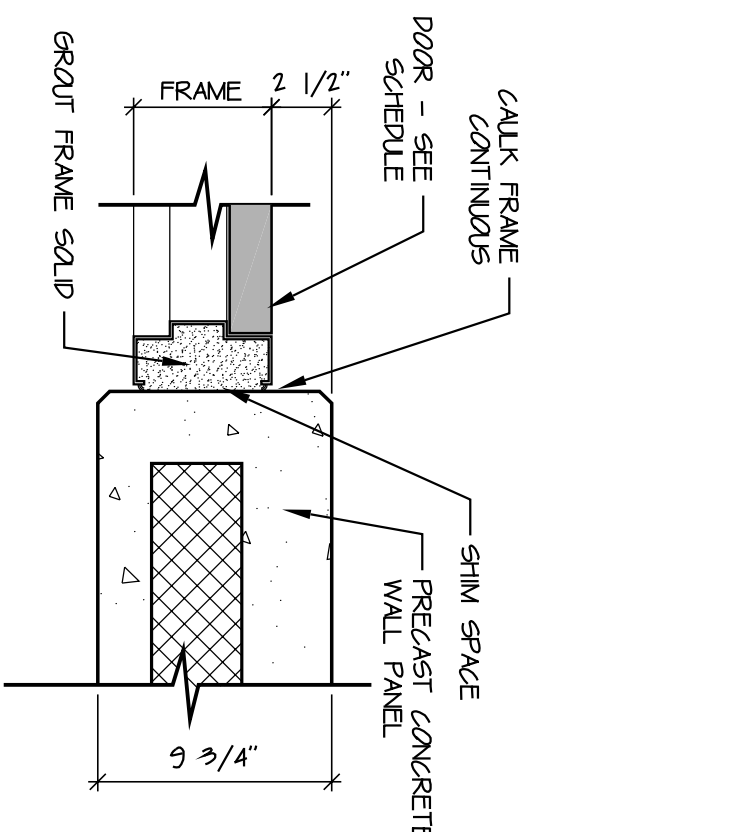
HEAD DETAIL H4
 SCALE: 1/2" = 1'-0"



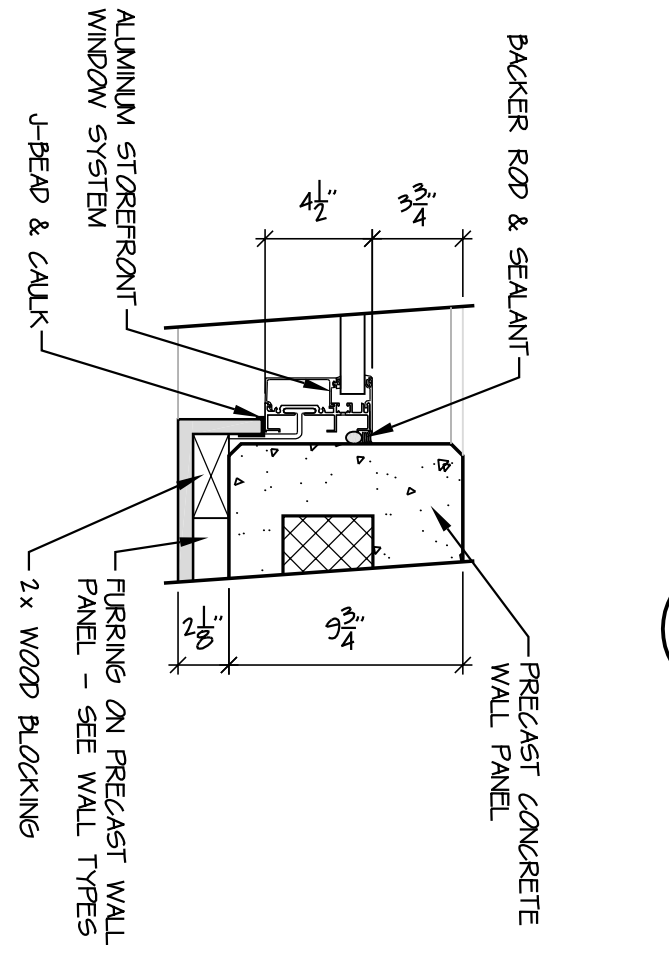
IAMB DETAIL J1
 SCALE: 1/2" = 1'-0"



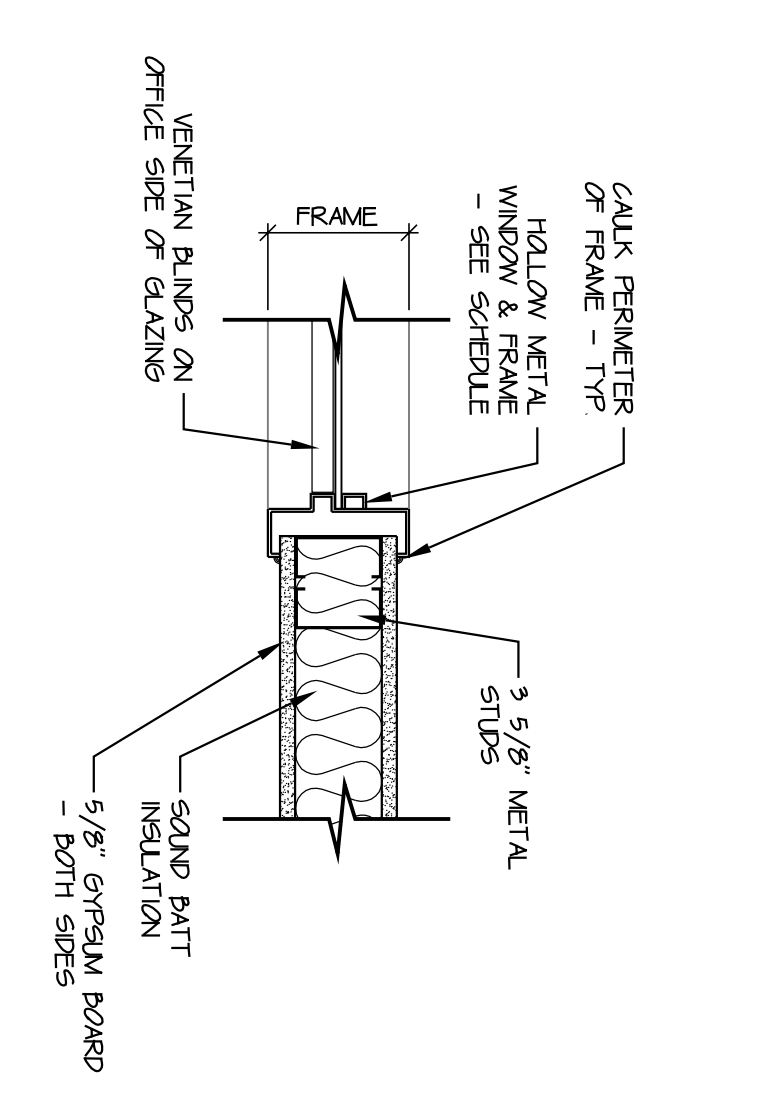
IAMB DETAIL J2
 SCALE: 1/2" = 1'-0"



IAMB DETAIL J3
 SCALE: 1/2" = 1'-0"



IAMB DETAIL J4
 SCALE: 1/2" = 1'-0"



NEW WAREHOUSE EXPANSION FOR Republic Wire
 UNION CENTRE DRIVE
 WEST CHESTER, OHIO 45069

Sheet Title
SCHEDULES AND DETAILS
 Project No. 973333.32
 Scale AS NOTED
 Sheet No. A4.1
 File No. 97333 32

© COPYRIGHT 2010, MCGILL SMITH PUNSTON, INC.